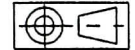


FASCO MOTORS MAY PROVIDE TECHNICAL ASSISTANCE TO OUR CUSTOMERS IN MANY AREAS. HOWEVER, SINCE FASCO MOTOR IS NOT AWARE OF ALL DATA CONCERNING THE USE AND APPLICATION OF THIS MOTOR, THE FITNESS OF THE MOTOR FOR THE APPLICATION MUST BE DETERMINED BY AND IS THE RESPONSIBILITY OF THE CUSTOMER.

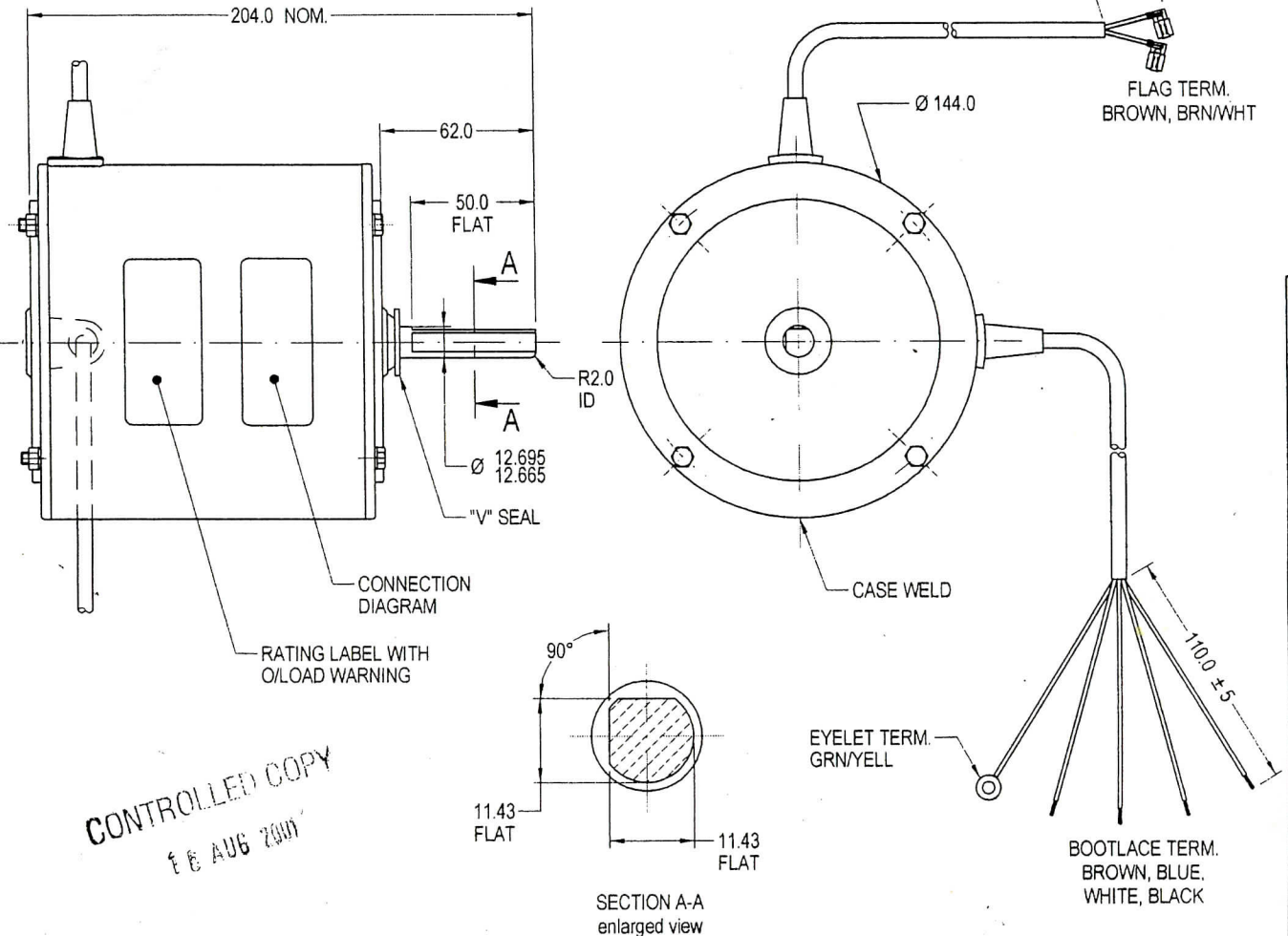


THIRD ANGLE PROJECTION

**MOTOR SPECIFICATION**

**8061S118-02**

Q.R. No.	5577	CUSTOMER NO.	
CUSTOMER	KENT AIR ENG		
MOTOR RATING	VOLTS	240	Hz 50 Ph 1 Duty AOM
	RPM.	910	2.7 AMPS
	NOM. OUTPUT	300 WATTS	
ROTATION	CLOCKWISE DRIVE END		
CAPACITOR	START	-----	μF/V RUN 6/440 μF/V
ENCLOSURE	TOTALLY ENCLOSED		
MOTOR TYPE	CSR	INSULATION CLASS	B130
THERMAL PROTECTION	AUTO RESET OVERLOAD		
APPLICATION	FAN MOTOR		
BEARING D.E.	6202 DDU C3 EA2	LUBRICATION	LONG LIFE, WIDE RANGE
BEARING N.D.E.	6202 DDU C3 EA2		
SUPPLY LEAD	FLEX 2000 ± 30 BOTH LEADS GREY		
EARTH PROVISION	VIA SUPPLIED LEAD		
BASIC BUILD SPECIFICATION	305-647-02	PAINT/ COLOUR	PC GREY CASE PLAIN E/SHIELDS
PERFORMANCE SPECIFICATION	SP85099-01		
CONNECTION DIAGRAM	393-179	RATING LABEL	SSTD AUTO.FMT



CONTROLLED COPY  
18 AUG 2007



DESIGNED AND MANUFACTURED TO AUSTRALIAN STANDARDS & SPECIFICATIONS

N693

MODEL 8061S118-02

VOLTS 240	R.P.M. 910	CLASS B130	Hz 50
WATTS 300	TYPE CSR	μF/V S NIL	Ph 1
AMPS 2.7	DUTY AOM	μF/V R 6/440	PROT. AUTO

**WARNING** MOTOR FITTED WITH INTERNAL AUTO RESET OVERLOAD AND MAY RESTART WITHOUT WARNING

**SPECIAL REQUIREMENTS:**

- 1)\_ "V" SEAL TO BE FITTED ON SHAFT
- 2)\_ CAPACITOR 345-013-03 TO BE SUPPLIED LOOSE
- 3)\_ RED FIBRE WASHERS TO BE FITTED - BOTH ENDS

UNLESS OTHERWISE SPECIFIED : DIMENSIONS ARE IN MM. TOLERANCES	MOTOR WEIGHT	8
DECIMALS .X ± 1.0 .XX ± 0.5	DRAWN	SYDNE
ANGULAR ± 30'	CHECKED	PIPAT
THIS DRAWING REMAINS THE PROPERTY OF FASCO MOTORS AND MAY NOT BE USED, COPIED OR ISSUED WITHOUT WRITTEN PERMISSION FROM FASCO MOTORS	RELEASED	PIPAT

**BCB SALES & SERVICE**  
PH : 03 9546 3833  
FAX : 03 9546 3356

FRAME	MOTOR	
STATUS	R	
SHEET	DWG. NO.	REVISION
A3	8061S118-02	L

MIC No. 004212  
 BY: NITHAD  
 Date: 13/06/01  
 MIC INSERT MOTOR WEIGHT 8.2 KGS INTO MASTER  
 Note: TEMPLATES