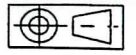
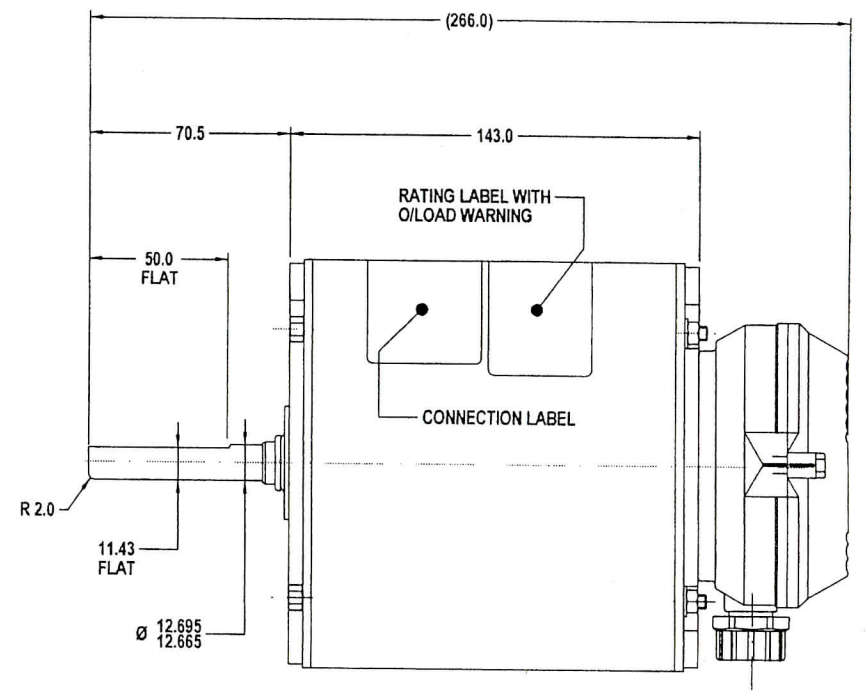
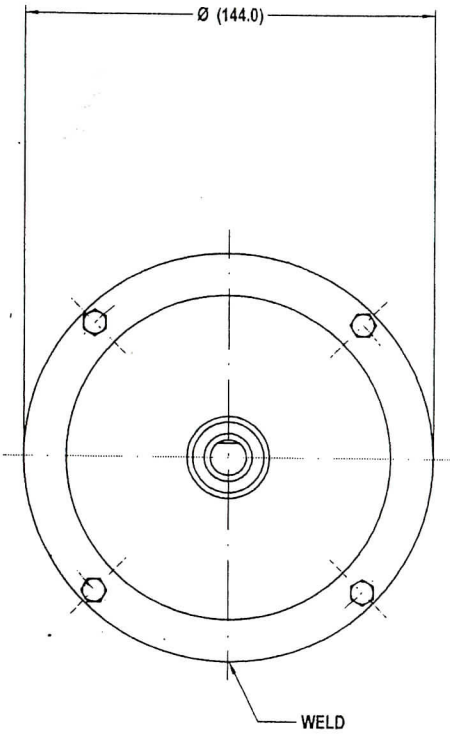


FASCO MOTOR CAN PROVIDE TECHNICAL ASSISTANCE TO OUR CUSTOMERS IN MANY AREAS. HOWEVER, SINCE FASCO MOTOR IS NOT RESPONSIBLE FOR ALL DATA CONCERNING THE USE AND APPLICATION OF THIS MOTOR, THE FITNESS OF THE MOTOR FOR THE APPLICATION MUST BE DETERMINED BY AND IS THE RESPONSIBILITY OF THE CUSTOMER.



THIRD ANGLE PROJECTION

MOTOR SPECIFICATION									
8061S120-80									
Q.R. No.	6681	CUSTOMER NO.							
CUSTOMER	VARIOUS								
MOTOR RATING	VOLTS	240	Hz	50	Ph	1	Duty	AOM	
	RPM.	900					2.9	AMPS	
	NOM. OUTPUT	370 WATTS							
ROTATION	CLOCKWISE DRIVE END (REVERSIBLE)								
CAPACITOR	START	-----	μF/V	RUN	8/440		μF/V		
ENCLOSURE	TOTALLY ENCLOSED								
MOTOR TYPE	CSR	INSULATION CLASS		B130					
THERMAL PROTECTION	AUTO RESET THERMAL OVERLOAD								
APPLICATION	FAN								
BEARING D.E.	6202 DDU.		LUBRICATION		LONG LIFE, WIDE RANGE				
BEARING N.D.E.	6202 DDU.								
SUPPLY LEAD	---								
EARTH PROVISION	IN CAPACITOR COVER								
BASIC BUILD SPECIFICATION	305-570-05		PAINT/ COLOUR		PC GREY CASE PLAIN E/SHIELDS				
PERFORMANCE SPECIFICATION	SP85101-01								
CONNECTION DIAGRAM	393-333-01		RATING LABEL		SSTDAUTO.FMT				



FASCO DESIGNED AND MANUFACTURED TO AUSTRALIAN STANDARDS & SPECIFICATIONS

C N693 ddmmyyxxxx

MODEL	8061S120-80
-------	--------------------

VOLTS 240	R.P.M. 900	CLASS B130	Hz 50
WATTS 370	TYPE CSR	μF/V S NIL	Ph 1
AMPS 2.9	DUTY AOM	μF/V R 8/440	PROT.AUTO

WARNING MOTOR FITTED WITH INTERNAL AUTO RESET OVERLOAD AND MAY RESTART WITHOUT WARNING

87.0

35.0

CONTROLLED COPY
18 AUG 2011

SPECIAL REQUIREMENTS:

- 1)_ WEATHERPROOF SPEC. BEI-176
- 2)_ NON DRIVER E/SH TO BE ASSEMBLED SO THAT LEAD EXIT HOLE IS CLOSED TO THE WELD
- 3)_ SHAFT MUST BE STAINLESS STEEL

UNLESS OTHERWISE SPECIFIED :
DIMENSIONS ARE IN MM.
TOLERANCES

DECIMALS	ANGULAR
.X ± 1.0	± 30'
.XX ± 0.5	

THIS DRAWING REMAINS THE PROPERTY OF FASCO MOTORS AND MAY NOT BE USED, COPIED OR ISSUED WITHOUT WRITTEN PERMISSION FROM FASCO MOTORS

BCB SALES & SERVICE
PH : 03 9546 3833
FAX : 03 9546 3356

BANGKRANG, MUANG NONHABURI DISTRICT,
NONHABURI 11000 THAILAND

FRAME	MOTOR		
STATUS	101:8556T-370-XAD		
SHEET	DWG. NO.	REVISION	
A3	8061S120-80	0	

MIC No. 004212 BY: NITHAD Date: 15/06/01 MIC INSERT MOTOR WEIGHT 8.6 KGS. INTO MASTER TEMPLATE