

FASCO MOTORS MAY PROVIDE TECHNICAL ASSISTANCE TO OUR CUSTOMERS IN MANY AREAS. HOWEVER, SINCE FASCO MOTOR IS NOT RESPONSIBLE FOR THE APPLICATION OF THIS MOTOR, THE FITNESS OF THE MOTOR FOR THE APPLICATION MUST BE DETERMINED BY AND IS THE RESPONSIBILITY OF THE CUSTOMER.



MOTOR SPECIFICATION

808557KTB-A11

Q.R. No.	Y001042	CUSTOMER NO.	
CUSTOMER	VARIOUS		
VOLTS	240	Hz	50
Ph	1	Duty	ACM
RPM	900		1.2
AMPS			
NOM. OUTPUT	150 WATTS		
ROTATION	CLOCKWISE D.E. (REVERSIBLE)		
CAPACITOR	START	µF/V	RUN
ENCLOSURE	TOTALLY ENCLOSED		
MOTOR TYPE	CSR	INSULATION CLASS	B130
THERMAL PROTECTION	AUTO RESET OVERLOAD		
APPLICATION	FAN		
BEARING D.E.	6202 DDU C3 EA2	LUBRICATION	LONG LIFE, WIDE RANGE
BEARING N.D.E.	6202 DDU C3 EA2		
SUPPLY LEAD	FLEX 1300 F30 GREY		
EARTH PROVISION	VIA SUPPLIED LEAD		
BASIC BUILD SPECIFICATION	305-570-05	PAINT/ COLOUR	PC GREY CASE PLAIN ESH
PERFORMANCE SPECIFICATION	SP85064-01	RATING LABEL	SSTDAUTO.FMT
CONNECTION DIAGRAM	393-427-01		

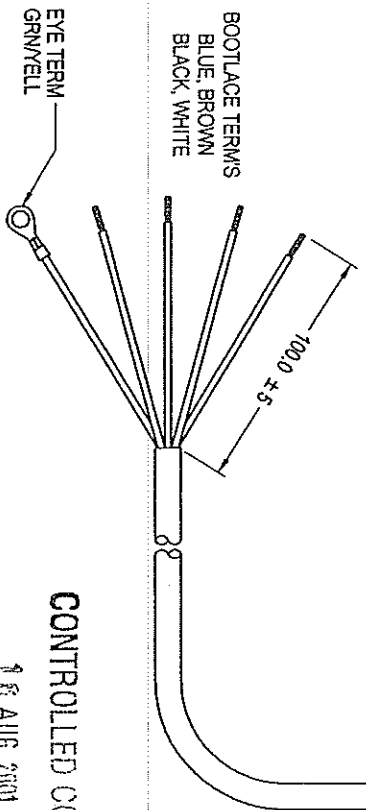
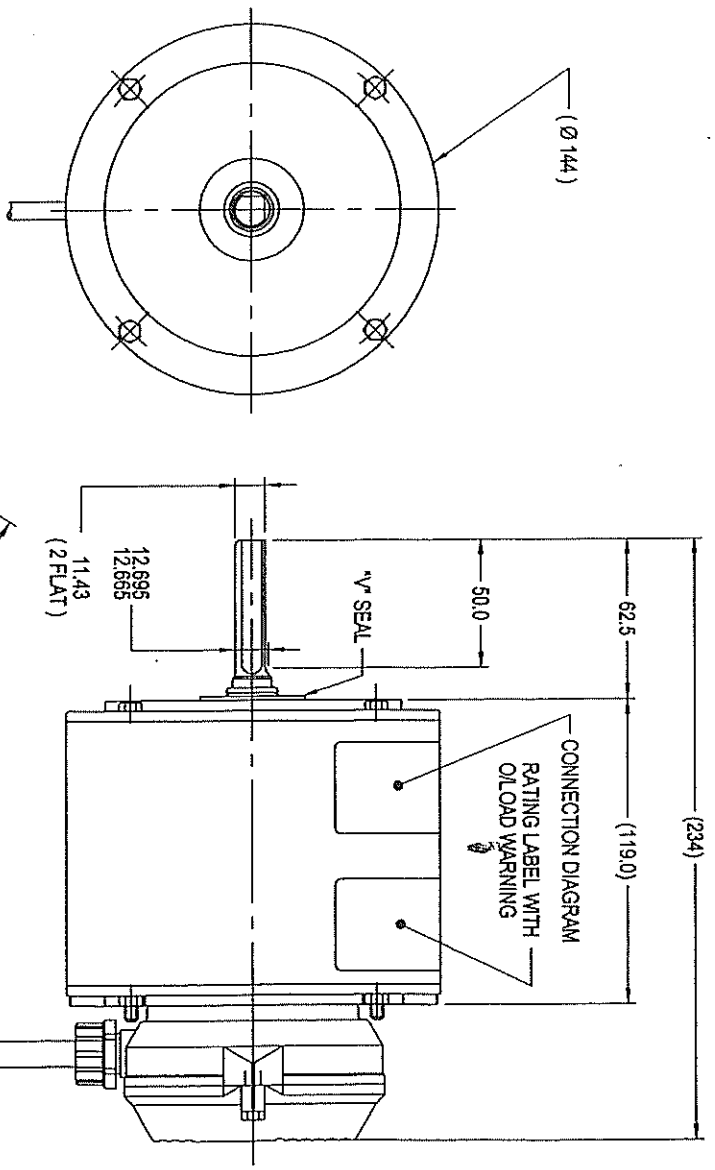
FASCO
DESIGNED AND MANUFACTURED TO AUSTRALIAN STANDARDS & SPECIFICATIONS

C N6933

VOLTS 240	R.P.M. 900	CLASS B110	Hz 50
WATTS 150	TYPE CSR	µF/V S 8140	Ph 1
AMPS 1.2	DUTY AOM	µF/V R 6140	PROT AUTO

WARNING
MOTOR FITTED WITH INTERNAL AUTO RESET OVERLOAD AND MAY RESTART WITHOUT WARNING

SPECIAL REQUIREMENTS:
1) WEATHER PROOF SPEC. BEI 176.



UNLESS OTHERWISE SPECIFIED:
DIMENSIONS ARE IN MM.
TOLERANCES
DECIMALS ± 0.10
ANGULAR ± 30'

THE DRAWING BEARING THE PROPERTY OF FASCO. MOTORS AND MAY NOT BE USED, COPIED OR REPRODUCED WITHOUT WRITTEN PERMISSION FROM FASCO MOTORS

BCB SALES & SERVICE
PH : 03 9546 3833
FAX : 03 9546 3356

BANGKOK, MAJANG NONGTHABURIDISTRICT, NONGTHABURI 1900 THAILAND

FRAME	A3	MOTOR	808557KTB-A11
STATUS	R	DWG. NO.	064:8557T-150-XCD
SHEET	A3	REVISION	A