

FASCO MOTORS MAY PROVIDE TECHNICAL ASSISTANCE TO OUR CUSTOMERS IN MANY AREAS. HOWEVER, SINCE FASCO MOTOR IS NOT AWARE OF ALL DATA CONCERNING THE USE AND APPLICATION OF THIS MOTOR, THE FITNESS OF THE MOTOR FOR THE APPLICATION MUST BE DETERMINED BY AND IS THE RESPONSIBILITY OF THE CUSTOMER.

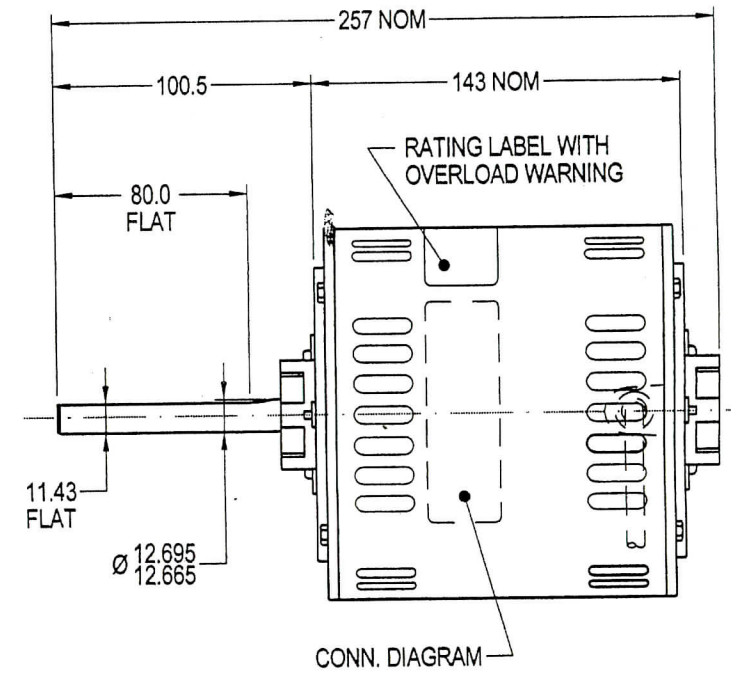
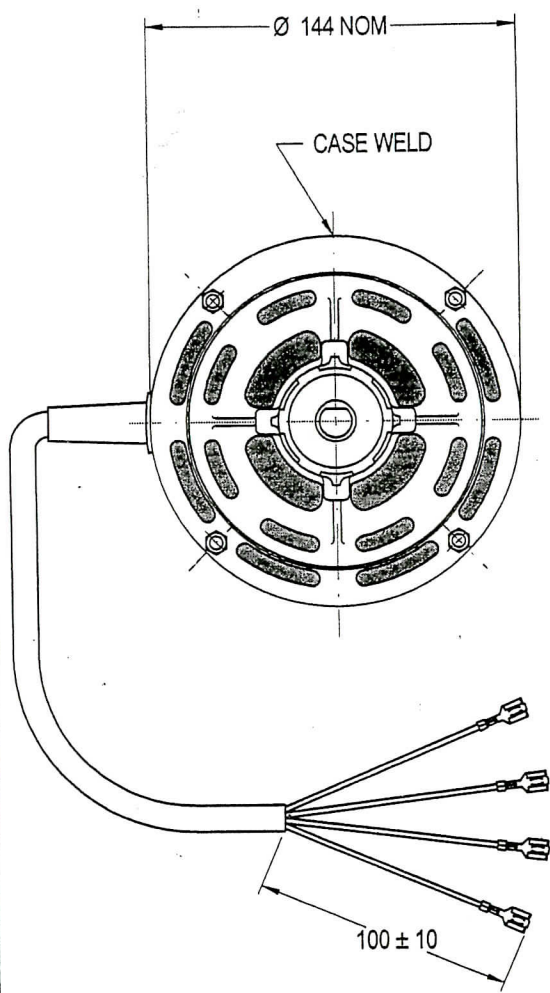


THIRD ANGLE PROJECTION

MOTOR SPECIFICATION

80855BPVA-A11S

Q.R. No.	Y000984	CUSTOMER NO.	6051655
CUSTOMER	CELAIR		
MOTOR RATING	VOLTS	240	Hz 50 Ph 1 Duty S1 AOM
	RPM.	1270	4.2 AMPS
NOM. OUTPUT	600 WATTS		
ROTATION	CLOCKWISE D/E		
CAPACITOR	START	-----	μF/V RUN 20/400 μF/V
ENCLOSURE	FULLY VENTED		
MOTOR TYPE	CSR	INSULATION CLASS	B130
THERMAL PROTECTION	AUTO RESET OVERLOAD		
APPLICATION	FAN-EVAP COOLER		
BEARING D.E.	6202 DDU C3 EA2	LUBRICATION	LONG LIFE, WIDE RANGE
BEARING N.D.E.	6202 DDU C3 EA2		
SUPPLY LEAD	FLEX 850 ± 30 GREY		
EARTH PROVISION	VIA SUPPLIED LEAD		
BASIC BUILD SPECIFICATION	305-570-13	PAINT/ COLOUR	P.C. GREY CASE PLAIN E/SHIELD
PERFORMANCE SPECIFICATION	SP85190-01		
CONNECTION DIAGRAM	393-402-06	RATING LABEL	SSTD AUTO.FMT



FASCO DESIGNED AND MANUFACTURED TO AUSTRALIAN STANDARDS & SPECIFICATIONS

C N693

6051655S	MODEL	80855BPVA-A11S
VOLTS 240	R.P.M. 1270	CLASS B130 Hz 50
WATTS 600	TYPE CSR	μF/V S NIL Ph 1
AMPS 4.2	DUTY S1 AOM	μF/V R 20/400 PROT. AUTO

WARNING MOTOR FITTED WITH INTERNAL AUTO RESET OVERLOAD AND MAY RESTART WITHOUT WARNING

SPECIAL REQUIREMENTS:

- 1)_CUSTOMER TO SUPPLY OWN CAPACITOR.
- 2)_MOTOR MUST BE LOAD TESTED.
- 3)_MOTOR TO BE PACKED IN SINGLE CARTON

UNLESS OTHERWISE SPECIFIED : DIMENSIONS ARE IN MM. TOLERANCES

DECIMALS	ANGULAR
.X ± 1.0	± 30'
.XX ± 0.5	

THIS DRAWING REMAINS THE PROPERTY OF FASCO MOTORS AND MAY NOT BE USED, COPIED OR ISSUED WITHOUT WRITTEN PERMISSION FROM FASCO MOTORS

MATL & FINISH	
DRAWN	NUTAP
CHECKED	KIT
RELEASED	KIT
SCALE	

BCB SALES & SERVICE
PH : 03 9546 3833
FAX : 03 9546 3356

NONHABURI 11000 THAILAND

FRAME	MOTOR	
STATUS	R	190:855BV-600-XAD:CELI
SHEET	DWG. NO.	80855BPVA-A11S
A3	REVISION	A

CONTROLLED COPY
 16 AUG 2001

MIC No. 003863
 By: NUTAPONG
 Date: 17/02/01
 MIC MODEL RELEASED AT FMTL RE-INSTATED