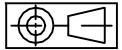


FASCO MOTORS MAY PROVIDE TECHNICAL ASSISTANCE TO OUR CUSTOMERS IN MANY AREAS. HOWEVER, SINCE FASCO MOTOR IS NOT AWARE OF ALL DATA CONCERNING THE USE AND APPLICATION OF THIS MOTOR, THE FITNESS OF THE MOTOR FOR THE APPLICATION MUST BE DETERMINED BY AND IS THE RESPONSIBILITY OF THE CUSTOMER.



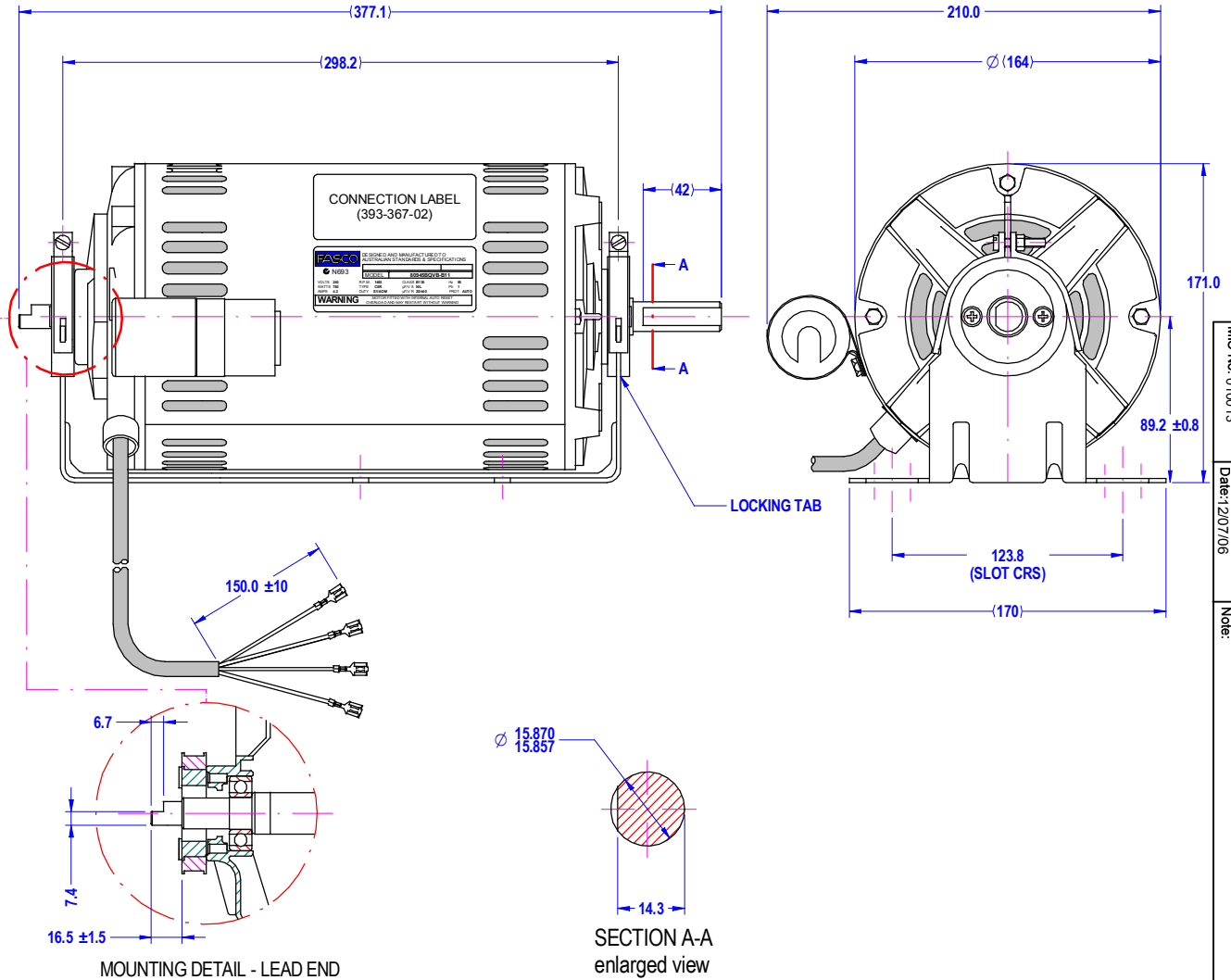
**MOTOR SPECIFICATION**

**80945BQVB-B11S**

|                           |                                     |                  |                             |
|---------------------------|-------------------------------------|------------------|-----------------------------|
| Q.R. No.                  | -                                   | CUSTOMER NO.     | -                           |
| CUSTOMER                  | VARIOUS                             |                  |                             |
| MOTOR RATING              | VOLTS                               | 240              | Hz 50 Ph 1 Duty A.O.M       |
|                           | RPM.                                | 1400             | 4.2 AMPS                    |
| NOM. OUTPUT               | 750 WATTS                           |                  |                             |
| ROTATION                  | CLOCKWISE AT DRIVE END (REVERSIBLE) |                  |                             |
| CAPACITOR                 | START                               | NIL              | μF/V RUN 20/440 μF/V        |
| ENCLOSURE                 | DRIP PROOF                          |                  |                             |
| MOTOR TYPE                | CSR                                 | INSULATION CLASS | B                           |
| THERMAL PROTECTION        | AUTO RESET OVERLOAD                 |                  |                             |
| APPLICATION               | EVAPORATIVE COOLER                  |                  |                             |
| BEARING D.E.              | 6204 ZZ                             | LUBRICATION      | LONG LIFE, WIDE RANGE       |
| BEARING N.D.E.            | 6203 ZZ                             |                  |                             |
| SUPPLY LEAD               | FLEX 1500±30 GREY                   |                  |                             |
| EARTH PROVISION           | VIA SUPPLY LEAD                     |                  |                             |
| BASIC BUILD SPECIFICATION | 470-063-02                          | PAINT/ COLOUR    | PC GREYCASE PLAIN E/SHIELDS |
| PERFORMANCE SPECIFICATION | SP94001-01                          |                  |                             |
| CONNECTION DIAGRAM        | 305-305-02                          | RATING LABEL     | SSTDAUTO.FMT                |

FINAL INSPECTED MOTORS MUST COMPLY WITH ELECTRIC MOTOR VIBRATION SPECIFICATION (ES049)

THIRD ANGLE PROJECTION



DESIGNED AND MANUFACTURED TO AUSTRALIAN STANDARDS & SPECIFICATIONS

|       |                |        |        |
|-------|----------------|--------|--------|
| N693  |                |        |        |
| MODEL | 80945BQVB-B11S |        |        |
| VOLTS | 240            | R.P.M. | 1400   |
| WATTS | 750            | CLASS  | B130   |
| AMPS  | 4.2            | Hz     | 50     |
|       |                | TYPE   | CSR    |
|       |                | μF/V S | NIL    |
|       |                | Ph     | 1      |
|       |                | DUTY   | S1/AOM |
|       |                | μF/V R | 20/440 |
|       |                | PROT.  | AUTO   |

**WARNING** MOTOR FITTED WITH INTERNAL AUTO RESET OVERLOAD AND MAY RESTART WITHOUT WARNING

- SPECIAL REQUIREMENTS:
- 1)\_CAPACITOR FITTED TO MOTOR.
  - 2)\_MOTOR TO BE PACKED IN SINGLE CARTON.

|  |               |          |
|--|---------------|----------|
| UNLESS OTHERWISE SPECIFIED : DIMENSIONS ARE IN MM. TOLERANCES  | MOTOR WEIGHT  | 20.0 kg. |
| DECIMALS .X ± 1.0 .XX ± 0.1  | ANGULAR ± 30' |          |
| THIS DRAWING REMAINS THE PROPERTY OF FASCO MOTORS AND MAY NOT BE USED, COPIED OR ISSUED WITHOUT WRITTEN PERMISSION FROM FASCO MOTORS |               |          |
| DRAWN  | MUNTANA       | 12/07/06 |
| CHECKED  | PIPAT         | 27/09/06 |
| RELEASED   | KANAPOTE      | 27/09/06 |
| SCALE  | N.T.S.        |          |



29/7-8 MOO 3, BANGKRUAY - SAINOI Rd., BANGKRANG, MIANG NONGTHABURI DISTRICT, NONGTHABURI 11000 THAILAND

|        |                         |   |
|--------|-------------------------|---|
| FRAME  | MOTOR                   |   |
| STATUS | R                       |   |
| SHEET  | DWG. NO. 80945BQVB-B11S |   |
| A3     | REVISION                | A |