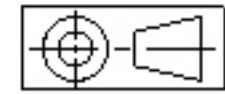


FASCO MOTORS MAY PROVIDE TECHNICAL ASSISTANCE TO OUR CUSTOMERS IN MANY AREAS. HOWEVER, SINCE FASCO MOTOR IS NOT AWARE OF ALL DATA CONCERNING THE USE AND APPLICATION OF THIS MOTOR, THE FITNESS OF THE MOTOR FOR THE APPLICATION MUST BE DETERMINED BY AND IS THE RESPONSIBILITY OF THE CUSTOMER.



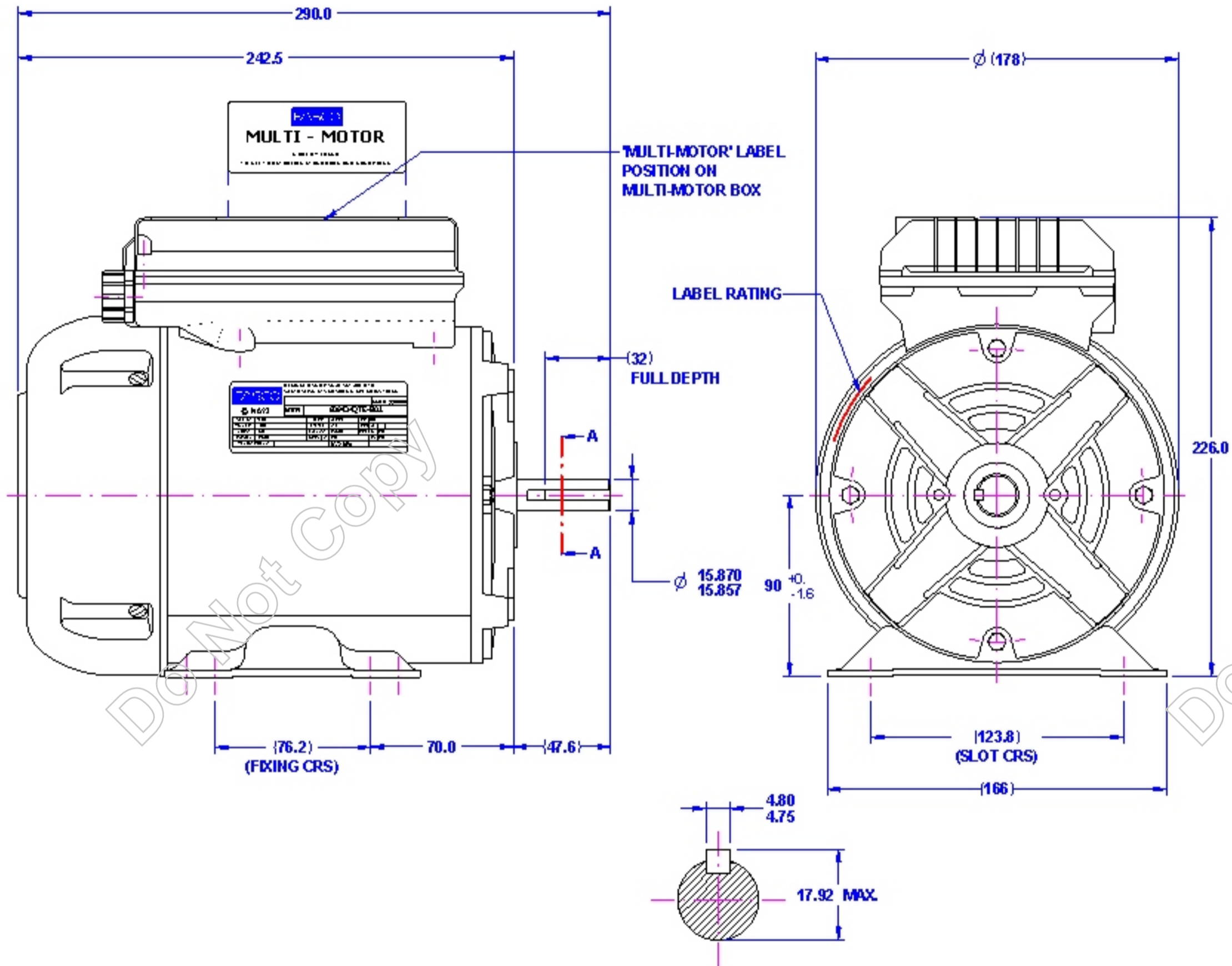
**MOTOR SPECIFICATION**

**809434QTE-B01**

Q.R. No.	7744	CUSTOMER NO.	-					
CUSTOMER	VARIOUS							
MOTOR RATING	VOLTS	415	Hz	50	Ph	3	Duty	S1
	RPM.	1410		1.8		AMPS		
	NOM. OUTPUT	720 WATTS						
ROTATION	CLOCKWISE DRIVE END (PHASED ROTATION)							
CAPACITOR	START	NIL	µF/V	RUN	NIL	µF/V		
ENCLOSURE	T.E.F.C.							
MOTOR TYPE	3 PHASE	INSULATION CLASS	B130					
THERMAL PROTECTION	NL							
APPLICATION	GENERAL PURPOSE							
BEARING D.E.	6204 ZZ		LUBRICATION	LONG LIFE, WIDE RANGE				
BEARING N.D.E.	6203 ZZ							
SUPPLY LEAD	-							
EARTH PROVISION	VIA SUPPLY LEAD							
BASIC BUILD SPECIFICATION	470-067-05	P.AINT/ COLOUR	BLUE (RAL-5009)					
PERFORMANCE SPECIFICATION	SP94105-01,02							
CONNECTION DIAGRAM	305-656-03	RATING LABEL	LABEL STD.FMT					

FINAL INSPECTED MOTORS MUST COMPLY WITH ELECTRIC MOTOR VIBRATION SPECIFICATION (ES049)

THIRD ANGLE PROJECTION



SECTION A-A

**"TYPE B CHANGE. REFER MIC AND NOTIFY PRODUCT DEVELOPMENT WHEN BUILDING."**

DESIGNED AND MANUFACTURED TO AUSTRALIAN STANDARDS & SPECIFICATIONS

**FASCO**

MODEL: 809434QTE-B01

VOLTS	415	TYPE	3 PH	Hz	50
WATTS	720	DUTY	S1	PH	3
AMPS	1.8	CLASS	B130	PROT.	NIL
R.P.M.	1410	µF/V	S	R	NIL
WATTS IN MAX		MAX kPa			

SPECIAL REQUIREMENTS:

- 1) 'MULTI-MOTOR' LABEL 393-521-01 TO BE FITTED AS INDICATED, TO READ FROM LEAD END TO DRIVE END.
- 2) 'CONNECTION' LABEL 393-526-01 TO BE FITTED UNDER CAPACITOR BOX LID.

UNLESS OTHERWISE SPECIFIED : DIMENSIONS ARE IN MM TOLERANCES

DECIMALS	ANGULAR
.X ± 1.0	± 30'
.XX ± 0.5	

THIS DRAWING REMAINS THE PROPERTY OF FASCO MOTOR AND MAY NOT BE USED OR REPRODUCED WITHOUT WRITTEN PERMISSION FROM FASCO MOTORS

MOTOR WEIGHT	X.X kg.	
DRAWN	SYDNEY	14/02/96
CHECKED	PIPAT	27/08/09
RELEASED	PHROM	31/08/09

**FASCO THAILAND**

297-8 MOO3, BANGKRUAY - SAI NOI RD., BANGKRUAY, MUANG NONG HAPU R DISTRICT, NONG HAPU R 11000 THAILAND

FRAME	MOTOR	
STATUS	R	
SHEET	DWG. NO.	REVISION
A3	809434QTE-B01	G

MIC No. 012355  
 By: THEPT/WAN  
 Date: 27/08/09  
 MIC REVERSE DATA TEST.