

FASCO MOTORS MAY PROVIDE TECHNICAL ASSISTANCE TO OUR CUSTOMERS IN MANY AREAS. HOWEVER, SINCE FASCO MOTOR IS NOT AWARE OF ALL DATA CONCERNING THE USE AND APPLICATION OF THIS MOTOR, THE FITNESS OF THE MOTOR FOR THE APPLICATION MUST BE DETERMINED BY AND IS THE RESPONSIBILITY OF THE CUSTOMER.

V18



MOTOR SPECIFICATION

Q.R. No.		7747		CUSTOMER NO.		-		
CUSTOMER		VARIOUS						
MOTOR RATING	VOLTS	240	Hz	50	Ph	1	Duty	S1 A.O.M.
	MAX. INPUT	2900		9.5				AMPS
NOM. OUTPUT	1650 WATTS							
ROTATION	CLOCKWISE AT DRIVE END							
CAPACITOR	START	135	~	250/250	µF/V	RUN	35/450	µF/V
	TOTALLY ENCLOSED FAN COOLED							
ENCLOSURE	CSCR		INSULATION CLASS		B			
MOTOR TYPE	MANUAL OVERLOAD							
THEMAL PROTECTION	BRICKSAW							
APPLICATION								
BEARING D.E.	6204 ZZ		LUBRICATION		LONG LIFE, WIDE RANGE			
BEARING N.D.E.	6203 ZZ							
SUPPLY LEAD	FLEX 10A PLUG 2000±30 GREY W / GLAND NUT							
EARTH PROVISION	VIA SUPPLY LEAD							
BASIC BUILD SPECIFICATION	470-069-05		PAINT/ COLOUR		BLUE RAL-5009			
PERFORMANCE SPECIFICATION	SP92078-01		RATING LABEL					
CONNECTION DIAGRAM	305-656-05		LABELSTD.F.MT					

FASCO DESIGNED AND MANUFACTURED TO AUSTRALIAN STANDARDS & SPECIFICATIONS

MODEL: **809222XTE-C11**

VOLTS	240	TYPE	CSCR	Hz	50
WATTS	1650	DUTY	S1	PH	1
AMPS	9.5	CLASS	B130	PROT.	MANUAL
R.P.M.	2900	uF/V	S 240	R	35/450
WATTS IN MAX		MAX kPa			

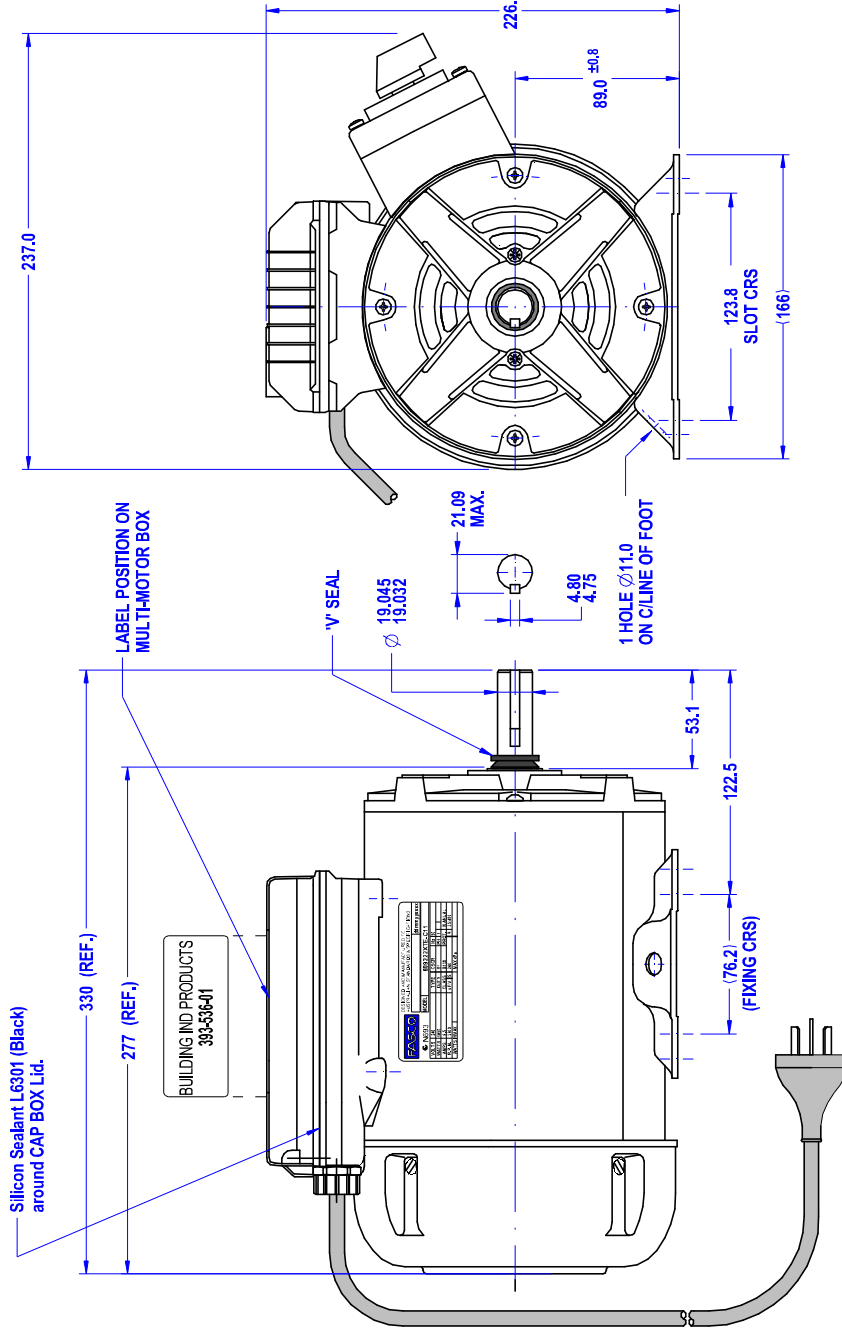
87.0

SPECIAL REQUIREMENTS:

- 1)_ REVERSING LABEL 393-468-02 TO BE FITTED UNDER CAPTOR BOX LID.
- 2)_ FIT 'V' SEAL TO SHAFT AT DRIVE END.
- 3)_ CAPACITOR FITTED TO MOTOR.

FINAL INSPECTED MOTORS MUST COMPLY WITH ELECTRIC MOTOR VIBRATION SPECIFICATION (ES049)

THIRD ANGLE PROJECTION



MIC1507334 By: Muntana Date: 10/07/2015 MIC H: REVISE SP NUMBER WAS SP92058-01 TO BE Note: SP92078-01

UNLESS OTHERWISE SPECIFIED : DIMENSIONS ARE IN MM. TOLERANCES		MOTOR WEIGHT	
DECIMALS	.X ± 1.0	kg.	X.X
.XX ± 0.1		DRAWN	Nithad
		CHECKED	Pipat
		RELEASED	Sutthipant
		SCALE	N.T.S.
THE DRAWING REMAINS THE PROPERTY OF FASCO. IT IS NOT TO BE REPRODUCED OR COPIED WITHOUT WRITTEN PERMISSION FROM FASCO MOTORS			
FASCO THAILAND		MOTOR	
297-8 MOO 3, BANGKRUAY - SAMNOI Rd., BANGKANG, MUANG NONGHABURI DISTRICT, NONGHABURI 11000 THAILAND		B058:9222T1650-AAD	
		DWG. NO. 809222XTE-C11	
		REVISION H	