

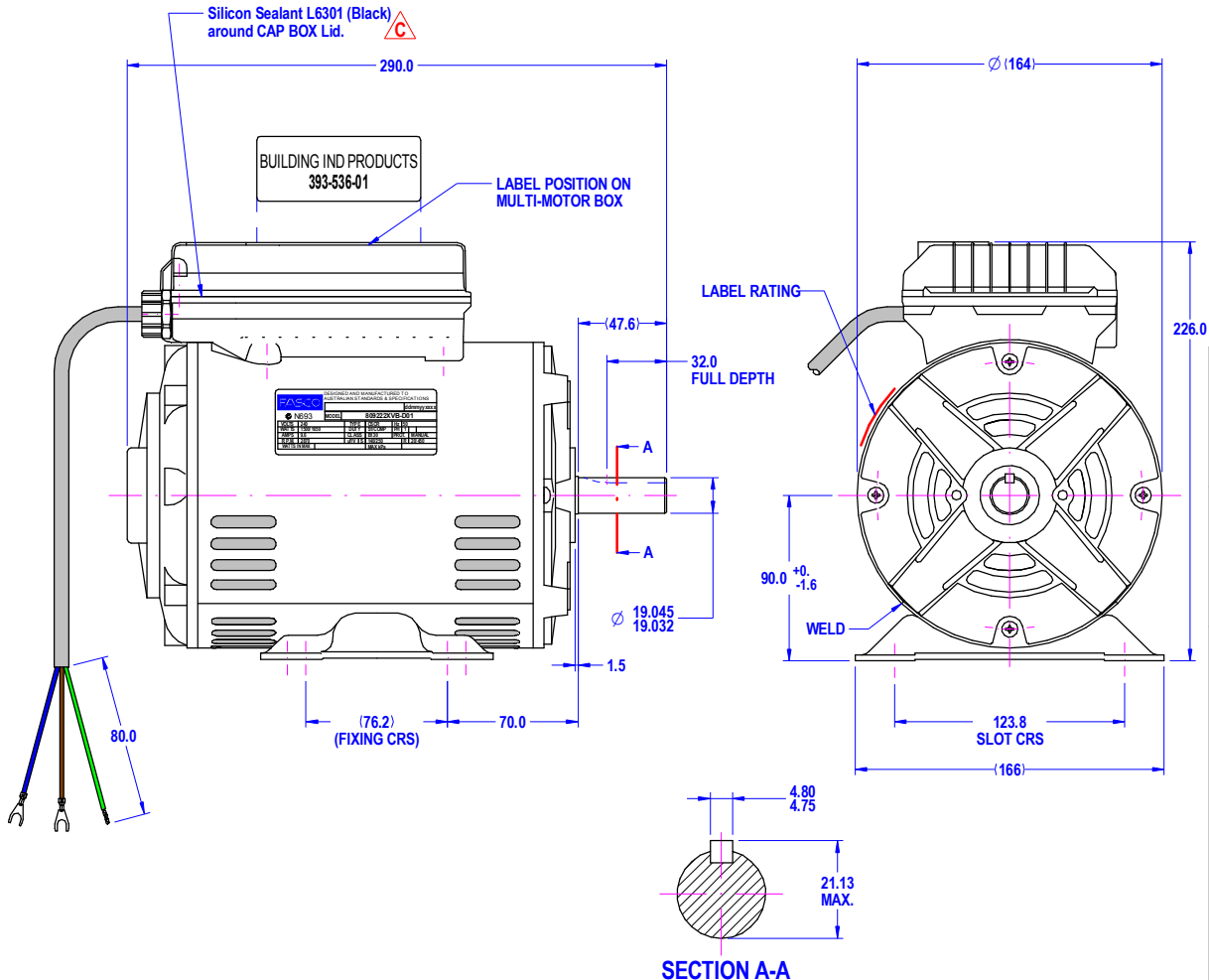
**MOTOR SPECIFICATION**

FINAL INSPECTED MOTORS MUST COMPLY WITH ELECTRIC MOTOR VIBRATION SPECIFICATION (ES049)

THIRD ANGLE PROJECTION

**809222XVB-D01**

Q.R. No.	QR1407064	CUSTOMER NO.	-
CUSTOMER	GENERAL PURPOSE		
MOTOR RATING	VOLTS	240	Hz 50 Ph 1 Duty S1/COMP
	RPM.	2870	9.6 AMPS
NOM. OUTPUT	1500/1650 WATTS		
ROTATION	ANTI CLOCKWISE AT DRIVE END		
CAPACITOR	START	200~250 /275	µF/V RUN 20/450 µF/V
ENCLOSURE	DRIPPROOF		
MOTOR TYPE	CSCR	INSULATION CLASS	B
THERMAL PROTECTION	MANUAL OVERLOAD		
APPLICATION	COMPRESSOR		
BEARING D.E.	6204 ZZ	LUBRICATION	LONG LIFE, WIDE RANGE
BEARING N.D.E.	6203 ZZ		
SUPPLY LEAD	FLEX 750±30 GREY W/GLAND NUT		
EARTH PROVISION	VIA SUPPLY LEAD		
BASIC BUILD SPECIFICATION	470-072-01	PAINT/ COLOUR	JET BLACK (RAL-9005)
PERFORMANCE SPECIFICATION	SP92076-01		
CONNECTION DIAGRAM	305-656-10	RATING LABEL	LABELSTD.FMT



DESIGNED AND MANUFACTURED TO AUSTRALIAN STANDARDS & SPECIFICATIONS

**FASCO**

MODEL: 809222XVB-D01

VOLTS	240	TYPE	CSCR	Hz	50
WATTS	1500/1650	DUTY	S1/COMP	PH	1
AMPS	9.6	CLASS	B130	PROT.	MANUAL
R.P.M.	2870	uF/V	S 200~250/275	R	20/450
WATTS IN MAX			MAX kPa		

ddmmyyxxxx

SPECIAL REQUIREMENTS:

- 1)\_LEAD 381-854-03 TO BE SUPPLIED AND PACKED LOOSE
- 2)\_REVERSING LABEL 393-468-02 TO BE FITTED UNDER CAPACITOR BOX LID

UNLESS OTHERWISE SPECIFIED : DIMENSIONS ARE IN MM. TOLERANCES

DECIMALS	ANGULAR
.X ± 1.0	± 30'
.XX ± 0.1	

THIS DRAWING REMAINS THE PROPERTY OF FASCO MOTORS AND MAY NOT BE USED, COPIED OR ISSUED WITHOUT WRITTEN PERMISSION FROM FASCO MOTORS

MOTOR WEIGHT

13.2

**FASCO THAILAND**

29/7-8 MOO 3, BANGKRUAJAY - SAINOI Rd., BANGKRANG, MUANG NONTHABURI DISTRICT, NONTHABURI 11000 THAILAND

FRAME

STATUS

R

SHEET

A3

MOTOR

B074:9222V1500-ABD

DWG. NO.

809222XVB-D01

REVISION

C

M/C:1412700  
 By: Muntana  
 Date: 16/02/2015  
 M/C: C-Add process with Silicone Sealant L6301 (Black)  
 Note: around CAP BOX LID