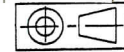


FASCO MOTORS MAY PROVIDE TECHNICAL ASSISTANCE TO OUR CUSTOMERS IN MANY AREAS. HOWEVER, SINCE FASCO MOTOR IS NOT AWARE OF ALL DATA CONCERNING THE USE AND APPLICATION OF THIS MOTOR, THE FITNESS OF THE MOTOR FOR THE APPLICATION MUST BE DETERMINED BY AND IS THE RESPONSIBILITY OF THE CUSTOMER.

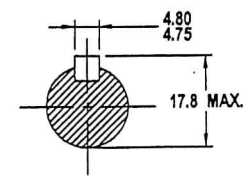
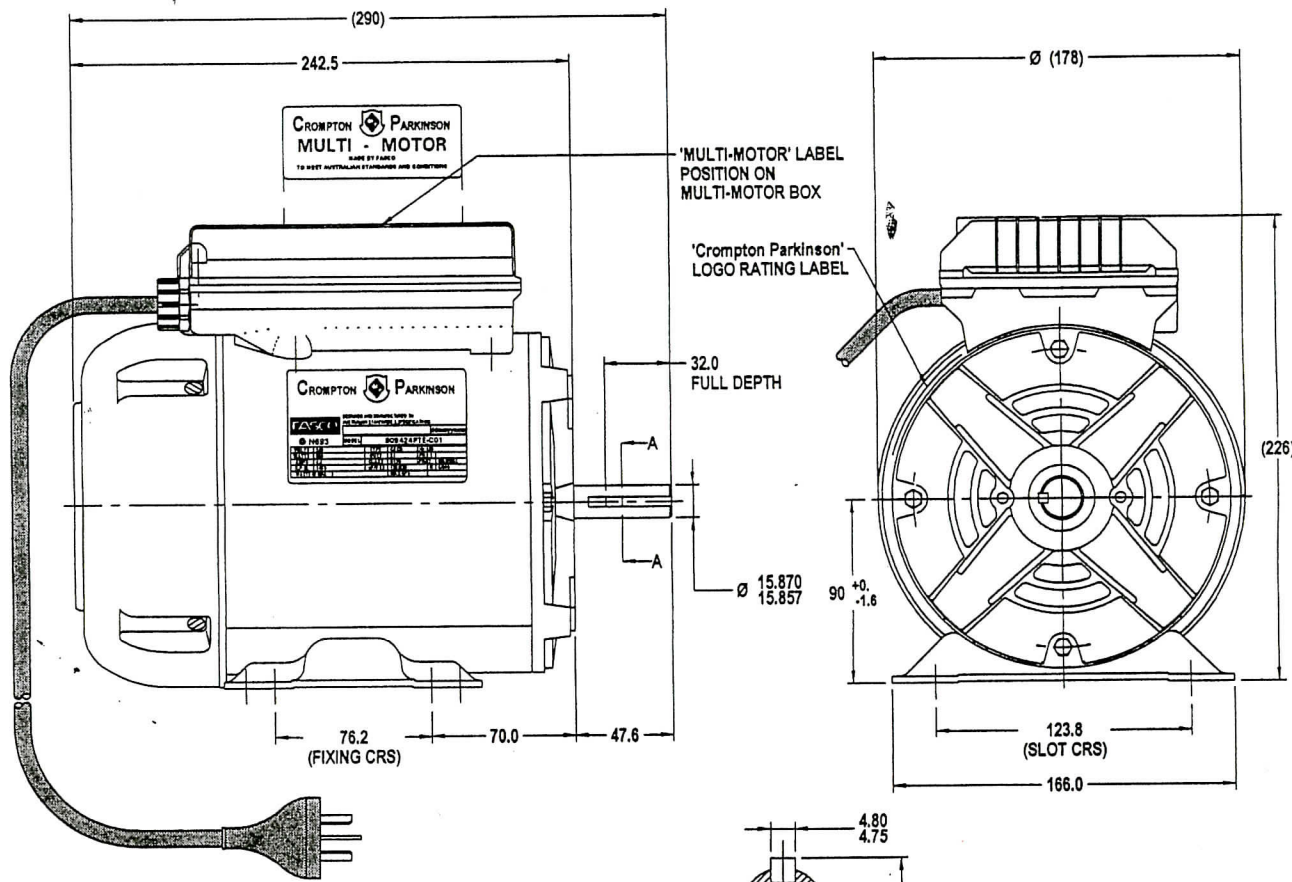


THIRD ANGLE PROJECTION

MOTOR SPECIFICATION

809424PTE-C01

Q.R. No.	7756	CUSTOMER NO.	-
CUSTOMER	VARIOUS		
MOTOR RATING	VOLTS	240	Hz 50 Ph 1 Duty S1
	RPM.	1450	4.4 AMPS
	NOM. OUTPUT	550 WATTS	
ROTATION	CLOCK WISE AT SHAFT END		
CAPACITOR	START	120/230 μ F/V	RUN 6/440 μ F/V
ENCLOSURE	T.E.F.C.		
MOTOR TYPE	CSCR	INSULATION CLASS	B
THERMAL PROTECTION	MANUAL OVERLOAD		
APPLICATION	GENERAL PURPOSE		
BEARING D.E.	6204 ZZ	LUBRICATION	LONG LIFE, WIDE RANGE
BEARING N.D.E.	6203 ZZ		
SUPPLY LEAD	FLEX 10A PLUG 2000 \pm 30 GREY W/GLAND NUT		
EARTH PROVISION	VIA SUPPLY LEAD		
BASIC BUILD SPECIFICATION	470-067-03	PAINT/ COLOUR	STD.BLUE
PERFORMANCE SPECIFICATION	SP94098-01		
CONNECTION DIAGRAM	305-656-01	RATING LABEL	TCPLABEL.FMT



SECTION A-A

CONTROLLED COPY
1 AUG 2001

MIC No. 003764
BY: NITHAD
Date: 22/03/01
MIC MODIFIED FROM 809424PTE-001 AND CHANGE
ENDSHIELD



DESIGNED AND MANUFACTURED TO AUSTRALIAN STANDARDS & SPECIFICATIONS

FASCO

MODEL: 809424PTE-C01

VOLTS	240	TYPE	CSCR	Hz	50
WATTS	550	DUTY	S1	PH	1
AMPS	4.4	CLASS	B130	PROT.	MANUAL
R.P.M.	1450	μ F/V	S 120/230	R	6/440
WATTS IN MAX		MAX kPa			

SPECIAL REQUIREMENTS:
1) 'MULTI-MOTOR' LABEL 393-521-01 TO BE FITTED AS INDICATED, TO READ FROM LEAD END TO DRIVE END.
2) 'REVERSING' LABEL 393-468-02 TO BE FITTED UNDER CAPACITOR BOX LID.

UNLESS OTHERWISE SPECIFIED : DIMENSIONS ARE IN MM. TOLERANCES

DECIMALS	ANGULAR
X \pm 1.0	\pm 30'
XX \pm 0.5	

THIS DRAWING REMAINS THE PROPERTY OF FASCO MOTORS AND MAY NOT BE USED, COPIED OR REPRODUCED WITHOUT WRITTEN PERMISSION FROM FASCO MOTORS

MATL & FINISH	
DRAWN	NITH
CHECKED	KIT
RELEASED	KITTI
SCALE	

BCB SALES & SERVICE
PH: 03 9546 3833
FAX: 03 9546 3356

22/03/01 BANGKRANG, MUANG NONTHABURI DISTRICT, NONTHABURI 11000 THAILAND

FRAME	MOTOR	REVISION
STATUS	098:9424T-550-AAD	
R		
SHEET	DWG. NO.	
A3	809424PTE-C01	A