

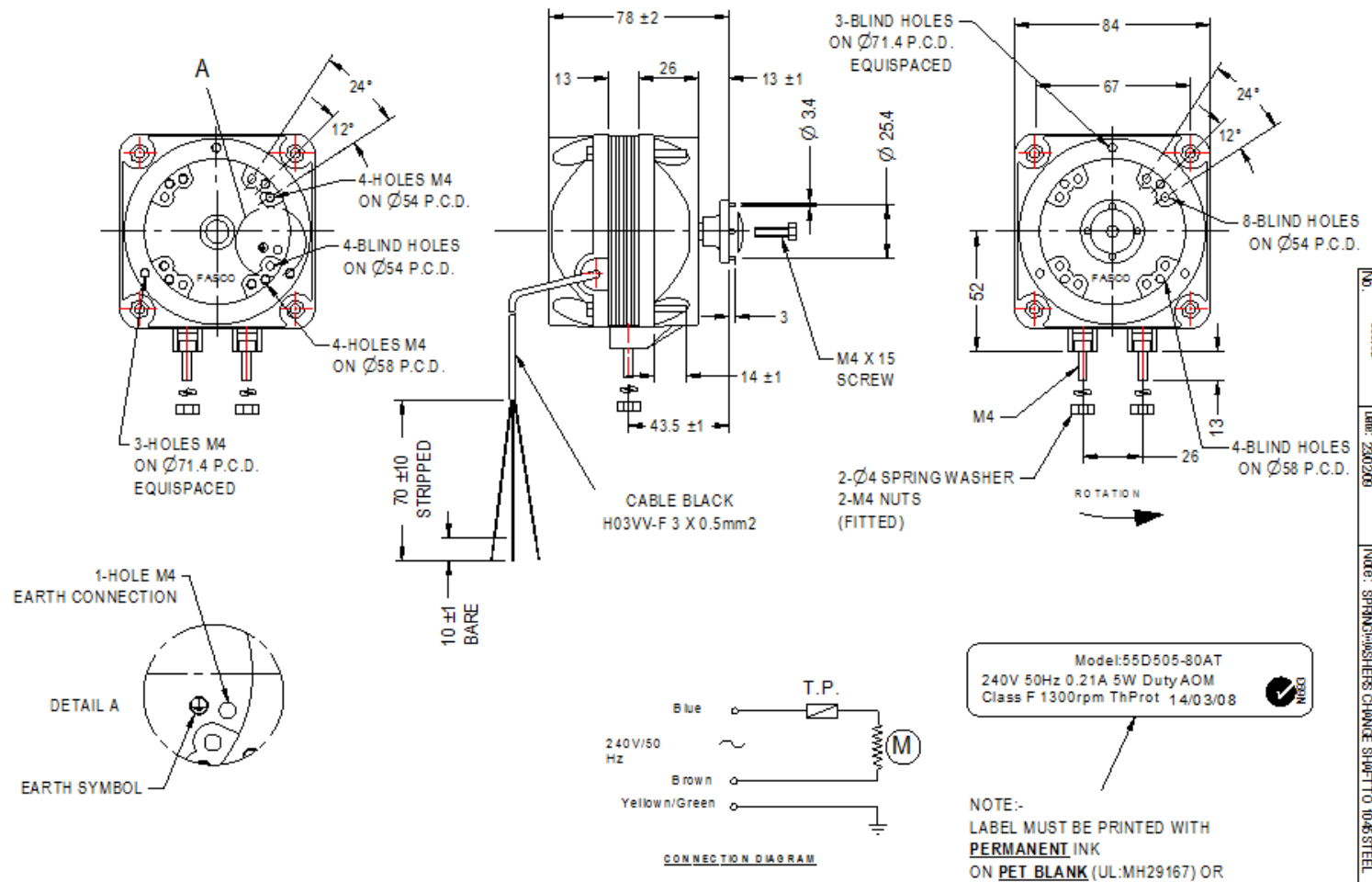
NOTE : FASCO AUSTRALIA IS HAPPY TO PROVIDE TECHNICAL ASSISTANCE TO OUR CUSTOMERS IN MANY AREAS. HOWEVER, SINCE FASCO AUSTRALIA IS NOT AWARE OF ALL DATA CONCERNING THE USE AND APPLICATION OF THIS MOTOR, THE SUITABILITY OF THE MOTOR FOR THE APPLICATION MUST BE DETERMINED BY AND IS THE RESPONSIBILITY OF THE CUSTOMER.



MOTOR SPECIFICATION

CUSTOMER	VARIOUS			
CUSTOMER P/N				
DR No.	M001111	CAPACITOR	u1/v	
POWER OUTPUT	5W	START		
MOTOR TYPE	SH/POLE	RUN		
SUPPLY	VOLTS	HERTZ	PHASE	POLES
	240	50	SINGLE	4
ENCLOSURE	TOTALLY ENCLOSED			
SPEED (RPM) AT RATED OUTPUT	1300	WINDING TYPE		
ROTATION	ANTICLOCKWISE (DRIVE END)			
INSULATION CLASS	F	DUTY	AOM	
THERMAL PROTECTION	AUTO REST			
RATED CURRENT	0.21	AMPS AT RATED OUTPUT		
APPLICATION	FAN DRIVE			
MOUNTING	TAPPED HOLES ENDSHIELD OR STUDS			
BEARING & LUBRICATION	BALL BEARING			
SUPPLY LEAD	COLOUR	BLACK		
	LENGTH	1500±40		
	TERMINALS			
	O.C. HOUSING			
EARTH PROVISION	VIA SUPPLY LEAD			
BASIC BUILD SPECIFICATION				
PERFORMANCE SPECIFICATION	SPM55001-01			
SHAFT MATERIAL	1045 STEEL			
CONNECTION DIAGRAM				

DO NOT SCALE PRINT



M/C 000102
 BY: MURFETTR
 DATE: 20/02/00
 M/C: RELOCATED EARTH/MBIC CHANGE/NOTE ON MAIN/5 AND
 N/C: SPRING WASHERS CHANGE SHFT TO 1045/STEEL

SPECIAL REQUIREMENTS
 ATTACH PLASTIC BAG TO LEAD CONTAINING THE FOLLOWING:
 4-OFF M4 X 8MM PAN HEAD PHILLIPS DRIVE ZP PLATED SCREWS
 4-OFF DIA.4MM EXTERNAL SHAKEPROOF ZP PLATED WASHERS

DIMENSIONS IN mm UNLESS OTHERWISE SPECIFIED	
GENERAL TOLERANCES	
LINEAR	XX = ±1.0
	XX = ±0.25
	XXX = ±0.1
ANGULAR	XX = ±2'
	XX = ±0.5'
SURFACE FINISHES MAX 30 MICROMETRES	
STYRENE/PERALS: 1100	
This drawing remains the property of Fasco Austral Pty. Ltd. No part or parts of this drawing may be reproduced without written permission.	

MATL			
FINISH			
DRAWN	MURFETTR	06/08/08	
CHECKED	BALCHANT	24/02/09	
RELEASED	BALCHANT	06/03/09	
SCALE			



FRAME	MOTOR: 4P5W		
STATUS	R		
SHEET	DWG. NO.	55D505-80AT	REVISION
A3			B