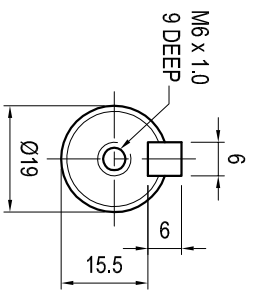
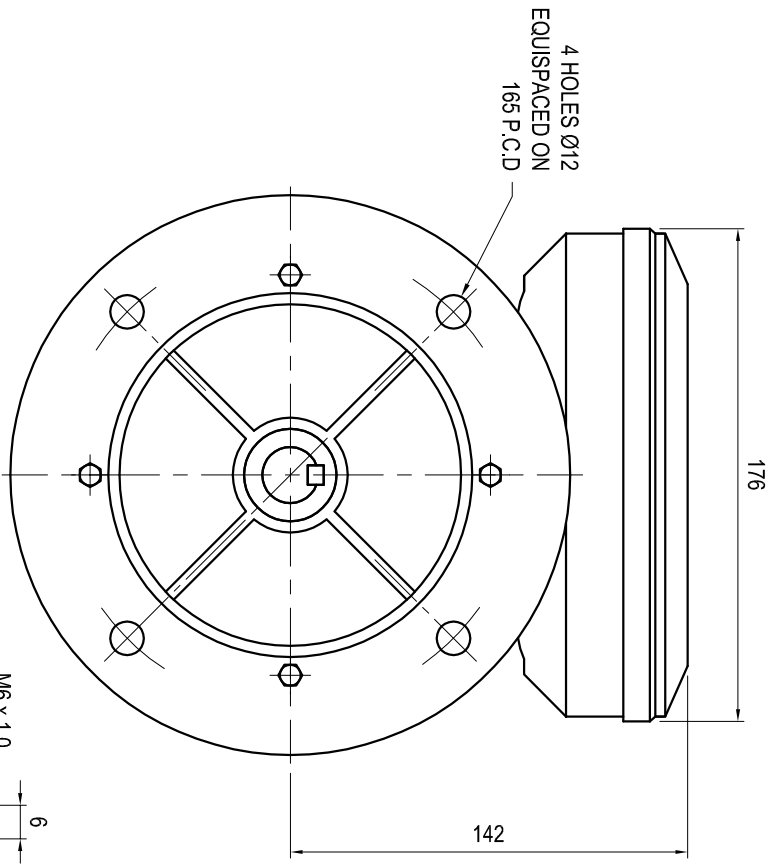
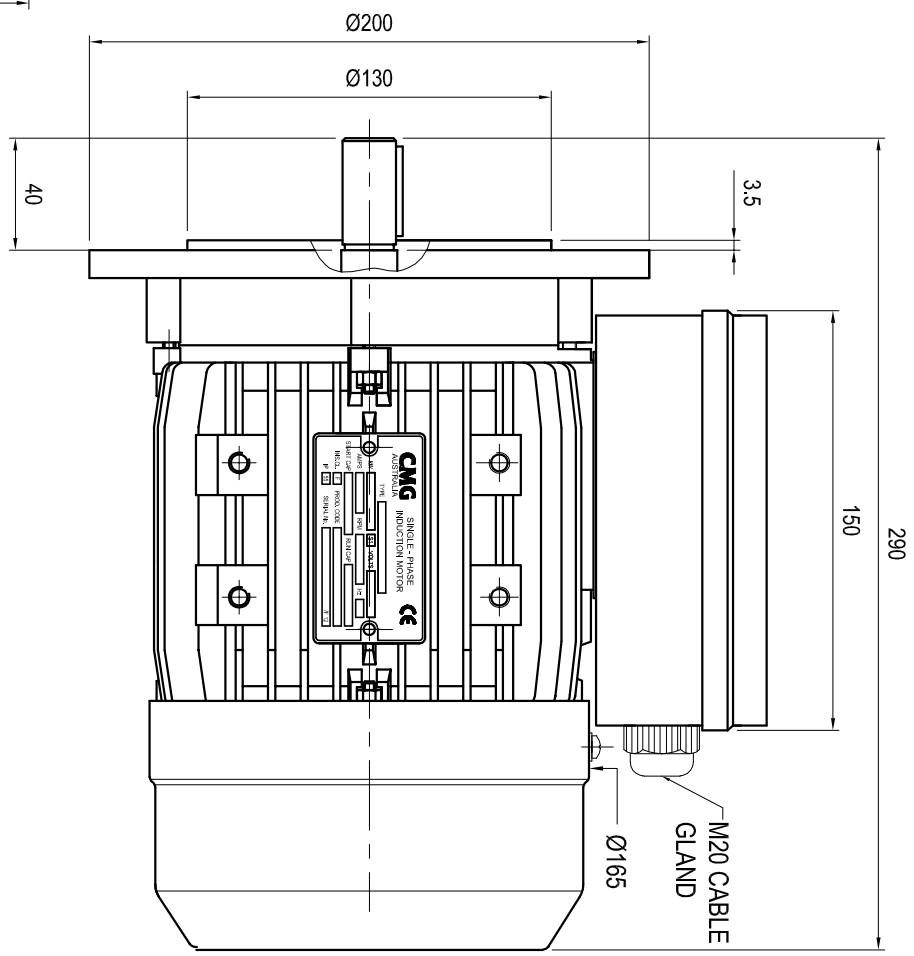


DRG. No.
T208050C

FRAME
MTC 80



SHAFT DETAIL



POLES	KW	TYPE
2	0.75	MTC80-2
2	1.1	MTC80-2
4	0.55	MTC80-4
4	0.75	MTC80-4

ISS.	ALTERATION	DATE	DRN.	APP.	NP/CR	19 CORPORATE AVE ROSWILLE VIC 3178 Pc: (03) 9237 4000 Fax: (03) 9237 4029 www.cmggroup.com.au		DRAFTING: STANDARD AS 1100 SIZE A3 UNLESS OTHERWISE STATED ALL DIMENSIONS IN MILLIMETRES. TOL. - LINEAR: ±. - ANGULAR: °	CUST. CMG SCALE N.T.S.	DATE: 19/12/07	DRN. L. BUTLER CHKD. JESSELRUDGE	WT. CKD. DATE 4/1/09	DRG. No. T208050C
A	ORIGINAL ISSUE	19/12/07	LB	JE	CR2800								

MTC 80 2 & 4 POLE B5 MOTOR - Ø19 SHAFT