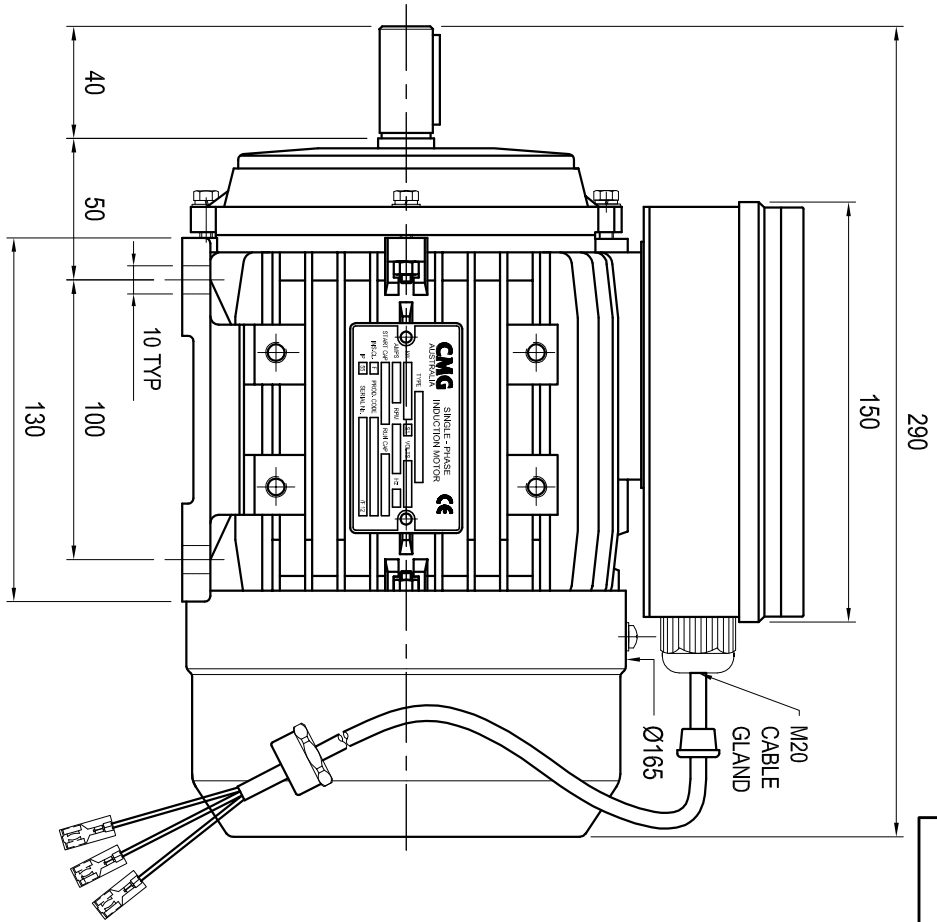
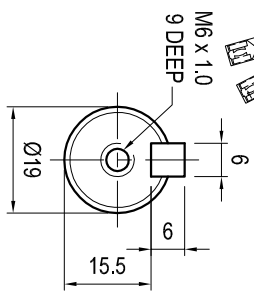
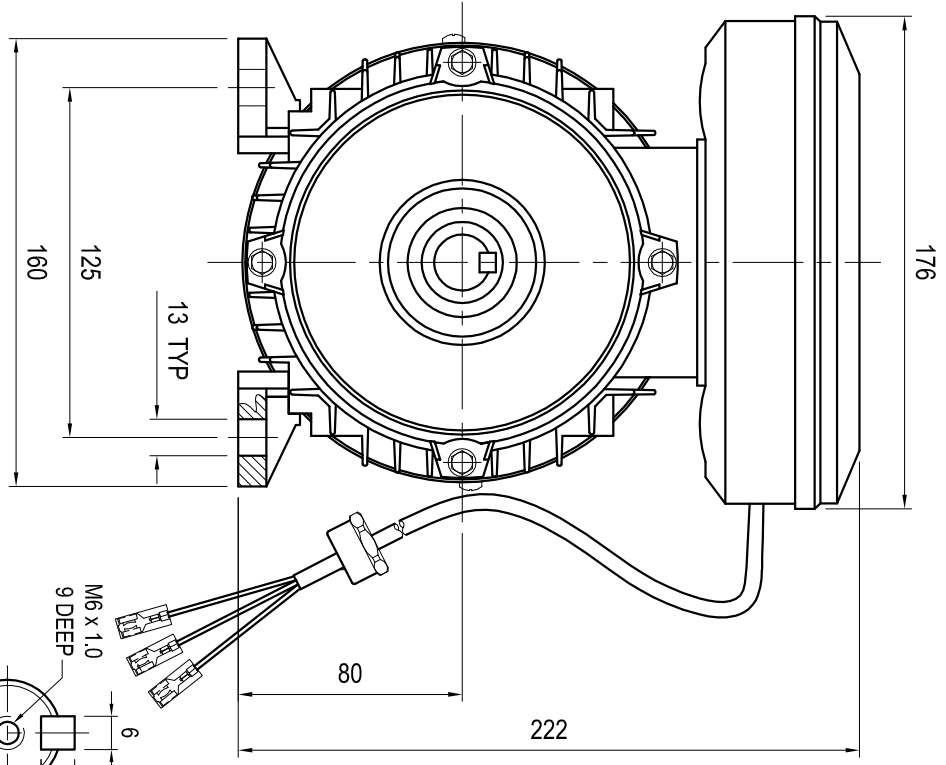


DRG. No.
T208030C

FRAME
MTC 80



POLES	KW	TYPE
2	0.75	MTC80-2
2	1.1	MTC80-2
4	0.55	MTC80-4
4	0.75	MTC80-4

SHAFT DETAIL

ISS.	ALTERATION	DATE	DRN.	APP.	NP/CR	19 CORPORATE AVE ROWVILLE VIC 3178 Pc: (03) 9237 4000 Fax: (03) 9237 4029 www.cmggroup.com.au		DRAFTING: STANDARD AS 1100 SIZE: A3 UNLESS OTHERWISE STATED ALL DIMENSIONS IN MILLIMETRES. TOL. - LINEAR: ±. - ANGULAR: °	TITLE: MTC D80 2 & 4 POLE CS/CR 1Ø B3 MOTOR CUST. CMG SCALE: N.T.S. DATE: 2/2/07 DRN. JESSELBRUGGE CKD. S. NURSE WT. 5/2/07	DRG. No. T208030C
------	------------	------	------	------	-------	---	--	---	---	-----------------------------