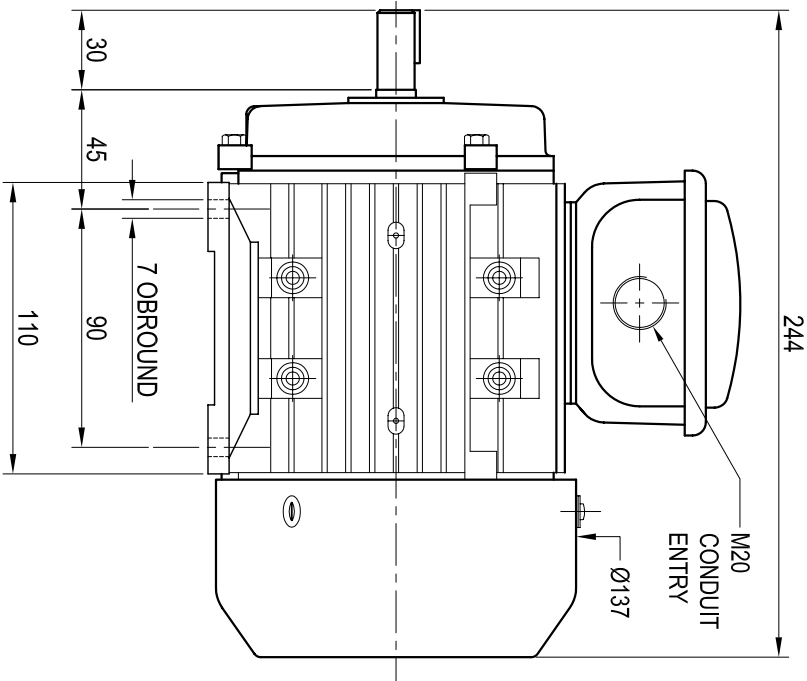


SHAFT DETAIL



NOTE:
TERMINAL BOX CAN BE ROTATED 90° INTERVALS

All CMG products are regularly redesigned and improved and CMG reserves the right to change the design, technical specification and dimensions without prior notice.

ISS.		DATE		DRN.		APP.		IN/PCR		 19 CORPORATE AVE ROWVILLE VIC 3178 Ph: (03) 9237 4000 Fax: (03) 9237 4029 www.cmggroup.com.au		 DRAFTING STANDARD AS 1100		SIZE A3		TITLE MOTOR OUTLINE 71 SLA B3		GPP PART No.			
A		13/10/03		GW		SN				UNLESS OTHERWISE STATED ALL DIMENSIONS IN MILLIMETRES. TOL. - LINEAR: ± 0.3 ° - ANGULAR: ± 1		CUST. CMG		DATE: 13/10/03		DRN. G. WEIHN		CKD. S. NURSE		DRG. No. L307130A	
ORIGINAL ISSUE		DATE		DRN.		APP.		IN/PCR		CUSTOMER SCALE 1:2		MATL. -		WT. -		CKD. DATE 14/10/03		PART No.			
ALTERATION		DATE		DRN.		APP.		IN/PCR		DATE: 13/10/03		DRN. G. WEIHN		CKD. S. NURSE		DRG. No. L307130A		PART No.			