

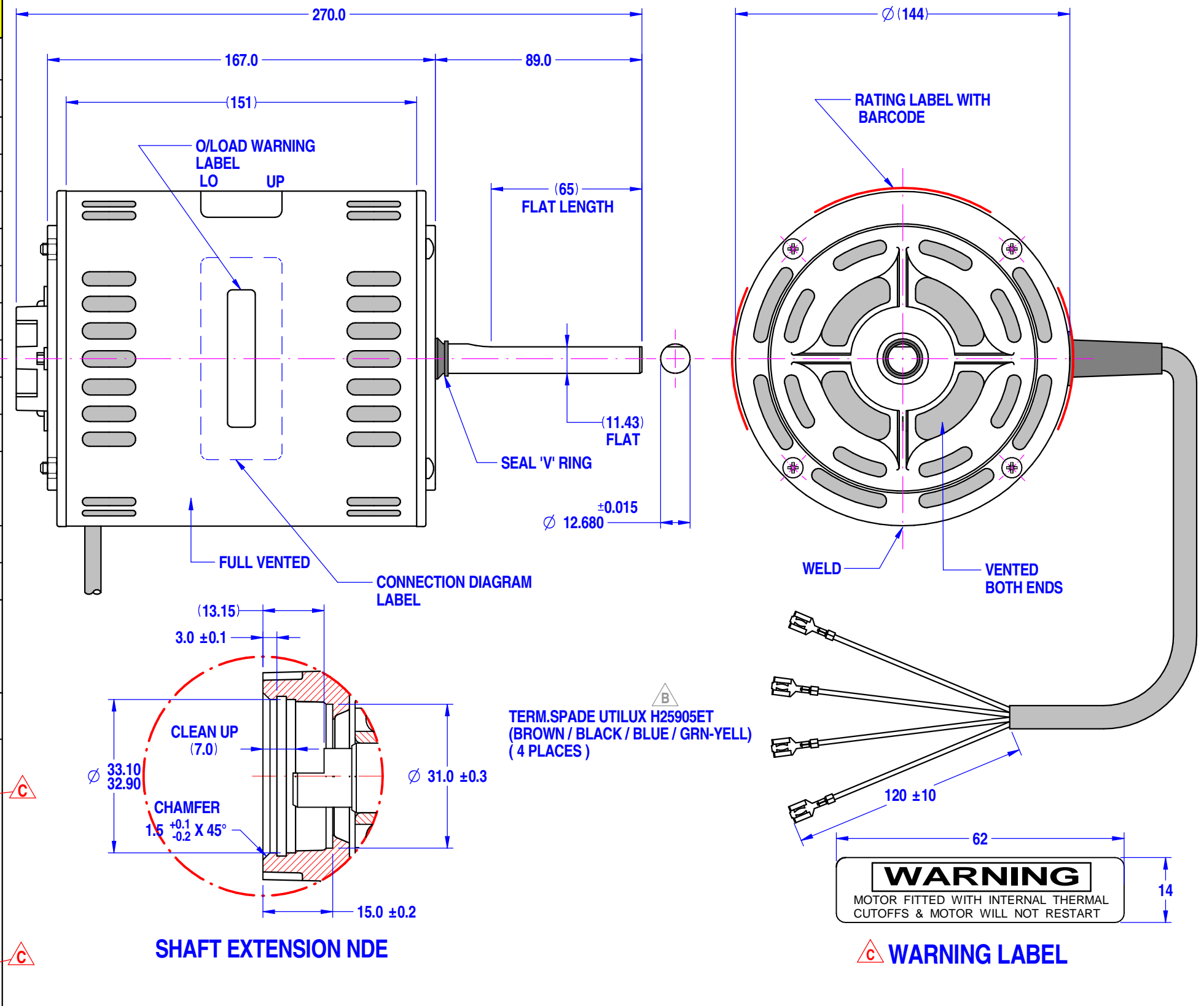
MOTOR SPECIFICATION

FINAL INSPECTED MOTORS MUST COMPLY WITH ELECTRIC MOTOR VIBRATION SPECIFICATION (ES049)

THIRD ANGLE PROJECTION

80855BRVA-A15

Q.R. No.	Y001837	CUSTOMER NO.	B016840					
CUSTOMER	RINNAI							
MOTOR RATING	VOLTS	240	Hz	50	Ph	1	Duty	S1 AOM.
	RPM.	1290(VAR)		6.8		AMPS		
	NOM. OUTPUT	950 WATTS						
ROTATION	ANTI CLOCKWISE DRIVE END							
CAPACITOR	START	-----	μF/V	RUN	25/400		μF/V	
ENCLOSURE	FULLY VENTED							
MOTOR TYPE	CSR	INSULATION CLASS	B130					
THERMAL PROTECTION	THERMAL FUSE CUT-OFF 152 °C							
APPLICATION	EVAPORATIVE COOLER - SHAFT VERT.UP							
BEARING D.E.	6202 DDU		LUBRICATION	LONG LIFE, WIDE RANGE				
BEARING N.D.E.	6202 DDU							
SUPPLY LEAD	FLEX 1100 ± 30 GREY							
EARTH PROVISION	VIA SUPPLY LEAD							
BASIC BUILD SPECIFICATION	305-570-16	PAINT/ COLOUR	PC GREY CASE PLAIN E/SHIELDS					
PERFORMANCE SPECIFICATION	SP85198-01	RATING LABEL	AS SHOWN					
CONNECTION DIAGRAM	393-531-01							



950W COOLER B016840

MODEL 80855BRVA-A15

FASCO S/N ddmmyyxxxx

VOLTS 240 R.P.M. 1290(VAR) CLASS B130 Hz 50
 WATTS 950 TYPE CSR μF/V S NIL Ph 1
 AMPS 6.8 DUTY S1/AOM μF/V R 25/400 PROT. FUSE

SPECIAL REQUIREMENTS:

- 1)_CAPACITOR SUPPLIED BY CUSTOMER.
- 2)_MOTOR TO BE MOUNTED SHAFT UP WITH ABUTMENT WASHER IN THE LEAD END.

UNLESS OTHERWISE SPECIFIED : DIMENSIONS ARE IN MM. TOLERANCES		MOTOR WEIGHT	10.8 kg.
DECIMALS	ANGULAR	DRAWN	Nithad 09/10/2003
.X ± 1.0	± 30'	CHECKED	Pipat 11/05/2018
.XX ± 0.1		RELEASED	Suksakorn 11/05/2018
THIS DRAWING REMAINS THE PROPERTY OF FASCO MOTORS AND MAY NOT BE USED, COPIED OR ISSUED WITHOUT WRITTEN PERMISSION FROM FASCO MOTORS		SCALE	N.T.S.

FASCO THAILAND

29/7-8 MOO 3, BANGKRUAY - SAINOI Rd., BANGKRANG, MUANG NONTABURI DISTRICT, NONTABURI 11000 THAILAND

FRAME	MOTOR	
STATUS	R	
SHEET	B198:855BV-950-XBD:BRIVS	
A3	DWG. NO.	80855BRVA-A15
	REVISION	C

MIC1802049 By: Veeranut Date: 11/05/2018 MIC C: CHANGE OVERLOAD TO THERMAL FUSE AND CHANGE WARNING LABEL AND REMOVE C-TICK LABEL