

FASCO MOTORS MAY PROVIDE TECHNICAL ASSISTANCE TO OUR CUSTOMERS IN MANY AREAS. HOWEVER, SINCE FASCO MOTOR IS NOT RESPONSIBLE FOR ALL DATA CONCERNING THE USE AND APPLICATION OF THIS MOTOR, THE FITNESS OF THE MOTOR FOR THE APPLICATION MUST BE DETERMINED BY AND IS THE RESPONSIBILITY OF THE CUSTOMER.

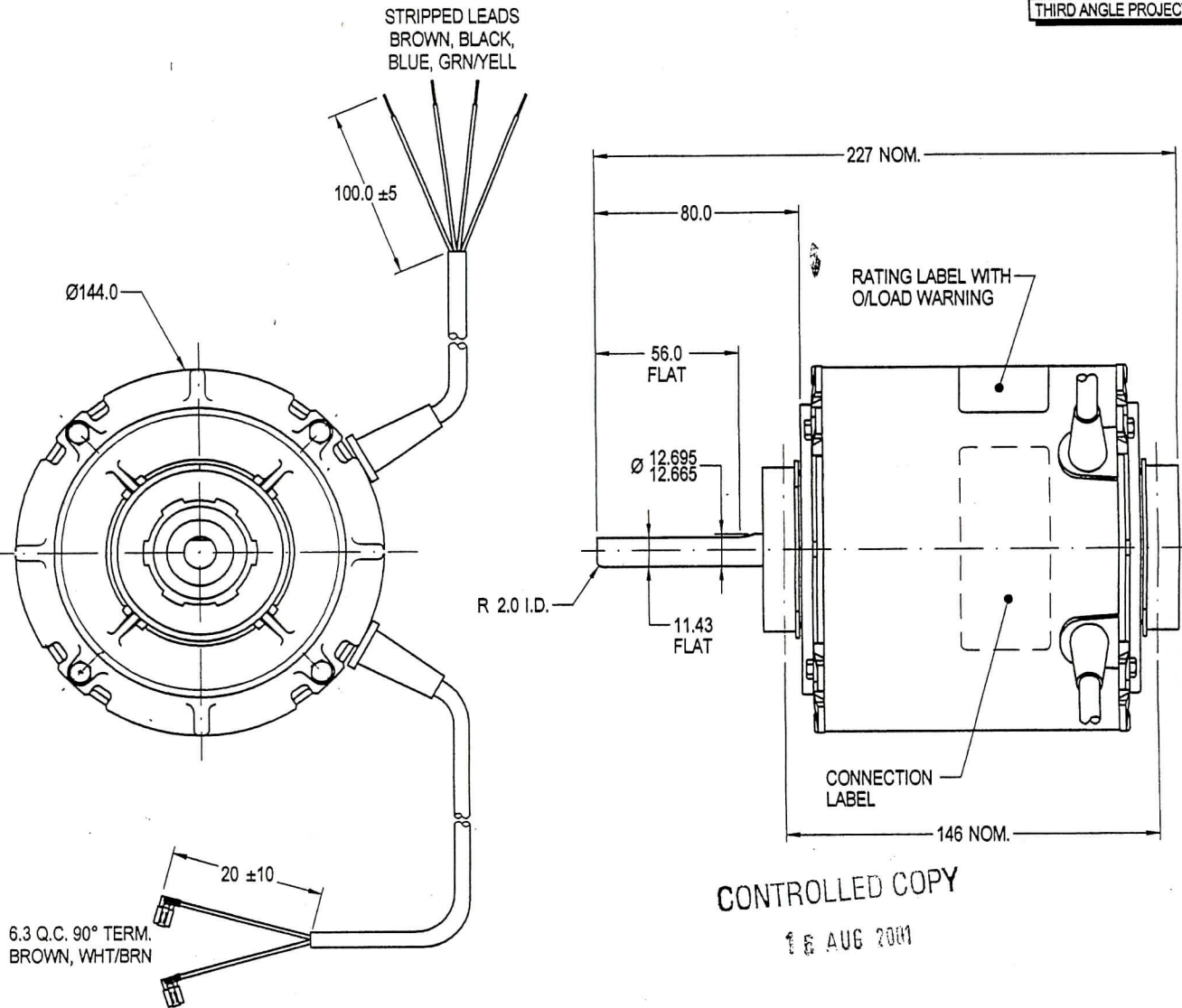


THIRD ANGLE PROJECTION

MOTOR SPECIFICATION

8061S079-02

Q.R. No.	4463	CUSTOMER NO.						
CUSTOMER	VARIOUS							
MOTOR RATING	VOLTS	240	Hz	50	Ph	1	Duty	AOM
	RPM.	1200/1060		2.5		AMPS		
	NOM. OUTPUT	425 WATTS						
ROTATION	CLOCKWISE D/E							
CAPACITOR	START	-----	μF/V	RUN	8/440		μF/V	
ENCLOSURE	TOTALLY ENCLOSED							
MOTOR TYPE	CSR	INSULATION CLASS	B130					
THERMAL PROTECTION	AUTO RESET OVERLOAD							
APPLICATION	FAN MOTOR							
BEARING D.E.	6202 DDU C3 EA2		LUBRICATION	LONG LIFE, WIDE RANGE				
BEARING N.D.E.	6202 DDU C3 EA2							
SUPPLY LEAD	FLEX MAIN LEAD 900 ± 30 GREY CAP LEAD 980							
EARTH PROVISION	VIA SUPPLIED LEAD							
BASIC BUILD SPECIFICATION	305-570-02		PAINT/ COLOUR	P.C. GREY CASE PLAIN E/SHIELD				
PERFORMANCE SPECIFICATION	SP85076-01							
CONNECTION DIAGRAM	393-513-01		RATING LABEL	SSTD AUTO.FMT				



FASCO

DESIGNED AND MANUFACTURED TO AUSTRALIAN STANDARDS & SPECIFICATIONS

C N693

MODEL 8061S079-02

VOLTS 240	R.P.M. 1200/1060	CLASS B130	Hz 50
WATTS 425	TYPE CSR	μF/V S NIL	Ph 1
AMPS 2.5	DUTY AOM	μF/V R 8/440	PROT. AUTO

WARNING MOTOR FITTED WITH INTERNAL AUTO RESET OVERLOAD AND MAY RESTART WITHOUT WARNING

87.0

SPECIAL REQUIREMENTS:

- 1) CAPACITOR TO BE SUPPLIED LOOSE

UNLESS OTHERWISE SPECIFIED : DIMENSIONS ARE IN MM. TOLERANCES

DECIMALS	ANGULAR
.X ± 1.0	± 30'
.XX ± 0.5	

THIS DRAWING REMAINS THE PROPERTY OF FASCO MOTORS AND MAY NOT BE USED, COPIED OR ISSUED WITHOUT WRITTEN PERMISSION FROM FASCO MOTORS

MOTOR WEIGHT

7.4

DRAWN	SYDNEY	27
CHECKED	PIPAT	14/06/01
RELEASED	PIPAT	14/06/01

BCB SALES & SERVICE

PH: 03 9546 3833

FAX: 03 9546 3356

297-8 MOO 3, BANGKRUAI - SAINOI Rd.,
BANGKRANG, MUANG NONHABURI DISTRICT,
NONHABURI 11000 THAILAND

SHEET
A3

DWG. NO.

8061S079-02

MOTOR

076:8555T-425-KAD

REVISION

J

MIC No. 004212

By: NITTHAD
Date: 13/06/01

MIC INSERT MOTOR WEIGHT 7.4 KGS. INTO MASTER
Note: TEMPLATE

CONTROLLED COPY

18 AUG 2001