

FASCO MOTORS MAY PROVIDE TECHNICAL ASSISTANCE TO OUR CUSTOMERS IN MANY AREAS. HOWEVER, SINCE FASCO MOTOR IS NOT RESPONSIBLE OF ALL DATA CONCERNING THE USE AND APPLICATION OF THIS MOTOR, THE FITNESS OF THE MOTOR FOR THE APPLICATION MUST BE DETERMINED BY AND IS THE RESPONSIBILITY OF THE CUSTOMER.



THIRD ANGLE PROJECTION

MOTOR SPECIFICATION

8061S082-18

Q.R. No.	6307	CUSTOMER NO.	90434
----------	------	--------------	-------

CUSTOMER	VULCAN		
----------	--------	--	--

VOLTS	240	Hz	50	Ph	1	Duty	ACM
-------	-----	----	----	----	---	------	-----

MOTOR RATING	1200		600 WATTS		4.4	ACM
--------------	------	--	-----------	--	-----	-----

ROTATION	CLOCK WISE AT DRIVE END		
----------	-------------------------	--	--

CAPACITOR	START	µF/V	RUN	15/440	µF/V
-----------	-------	-------	------	-----	--------	------

ENCLOSURE	FULLY VENTED		
-----------	--------------	--	--

MOTOR TYPE	CSR	INSULATION CLASS	B130
------------	-----	------------------	------

THERMAL PROTECTION	AUTO RESET OVERLOAD		
--------------------	---------------------	--	--

APPLICATION	FAN MOTOR		
-------------	-----------	--	--

BEARING D.E.	6202 ZZ	LUBRICATION	LONG LIFE, WIDE RANGE
--------------	---------	-------------	-----------------------

BEARING N.D.E.	6202 ZZ	LUBRICATION	WIDE RANGE
----------------	---------	-------------	------------

SUPPLY LEAD	SINGLE CORE 350 #30 BRAIDED SLEEVING		
-------------	--------------------------------------	--	--

EARTH PROVISION	VIA SUPPLY LEAD		
-----------------	-----------------	--	--

BASIC BUILD SPECIFICATION	305-570-12	PAINT/ COLOUR	PC BLACK CASE PLAIN ESHIELDS
---------------------------	------------	---------------	------------------------------

PERFORMANCE SPECIFICATION	SP85026-04	RATING LABEL	SSTD/AUTO.FMT
---------------------------	------------	--------------	---------------

CONNECTION DIAGRAM	393-081	RATING LABEL	SSTD/AUTO.FMT
--------------------	---------	--------------	---------------



DESIGNED AND MANUFACTURED TO AUSTRALIAN STANDARDS & SPECIFICATIONS

C N693

MODEL: 90434
CLASS B130
HE 50
PH 1
PROT. AUTO

VOLTS 240
WATTS 550
AMPS 2.8

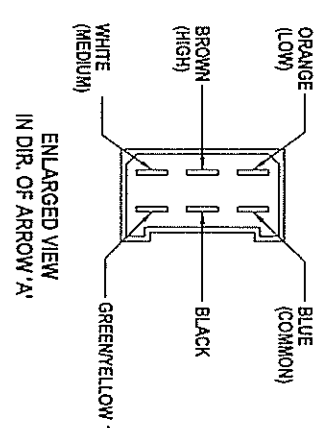
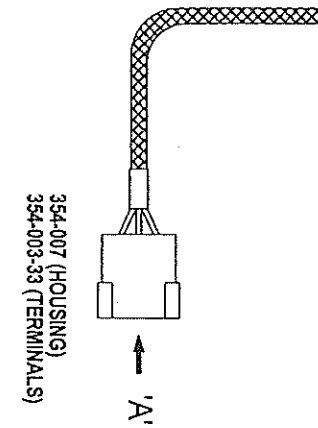
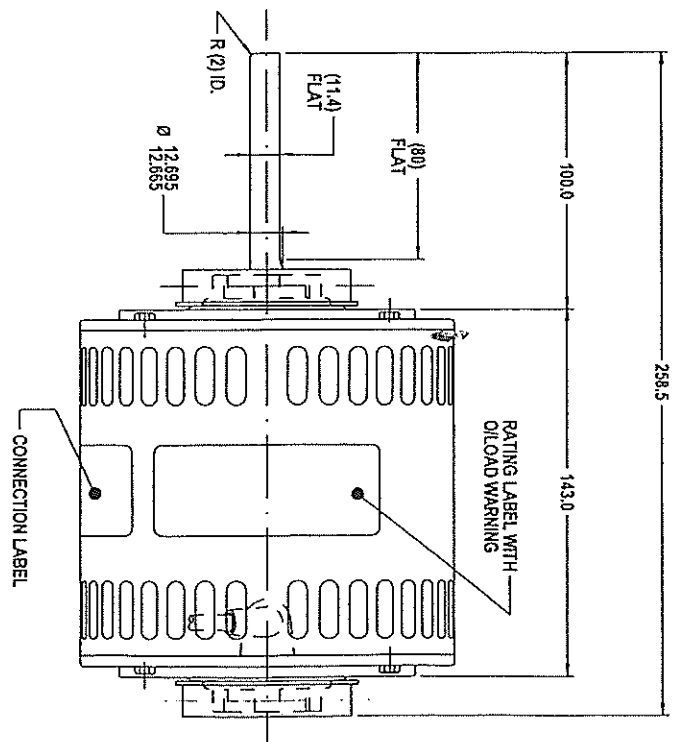
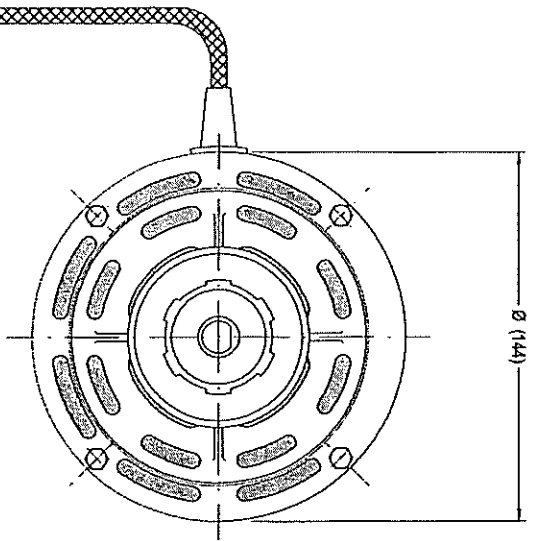
R.P.M. 1300
TYPE CSR
DUTY ACM

WARNING

MOTOR FITTED WITH INTERVAL AUTO RESET OVERLOAD AND MAY RESTART WITHOUT WARNING

87.0

SPECIAL REQUIREMENTS:
1) SOUTHCORP PART NUMBER 90434 TO BE SHOW ON THE RATING LABEL AND THE DELIVERY DOCKET
2) RATING LABEL DATA AS PER CUSTOMER REQUIREMENTS (REFER 305-731-00)



CONTROLLED COPY
18 AUG 2001

UNLESS OTHERWISE SPECIFIED: MOTOR WEIGHT X.X kg.
DIMENSIONS ARE IN MM. TOLERANCES

DECIMALS	ANGULAR	DRAWN	SYDNEY	10/11/94
X ± 1.0	± 30'	CHECKED	KITTI	25/07/01
XX ± 0.5		RELEASED	KITTI	25/07/01

THE DRAWING REMAINS THE PROPERTY OF FASCO MOTORS AND MAY NOT BE REPRODUCED OR COPIED OR REPRODUCED WITHOUT WRITTEN PERMISSION FROM FASCO MOTORS



THAILAND
297/2 MOO 3 BANGKOK - SANGKHA
BANGKOK, THAILAND 10000 THAILAND

FRAME	MOTOR
STATUS	026:8555V-600-KAD:ILEC
SHEET	DWG. NO. 8061S082-18
A3	REVISION L