

FASCO MOTORS MAY PROVIDE TECHNICAL ASSISTANCE TO OUR CUSTOMERS IN MANY AREAS. HOWEVER, SINCE FASCO MOTOR IS NOT AWARE OF ALL DATA CONCERNING THE USE AND APPLICATION OF THIS MOTOR, THE FITNESS OF THE MOTOR FOR THE APPLICATION MUST BE DETERMINED BY AND IS THE RESPONSIBILITY OF THE CUSTOMER.

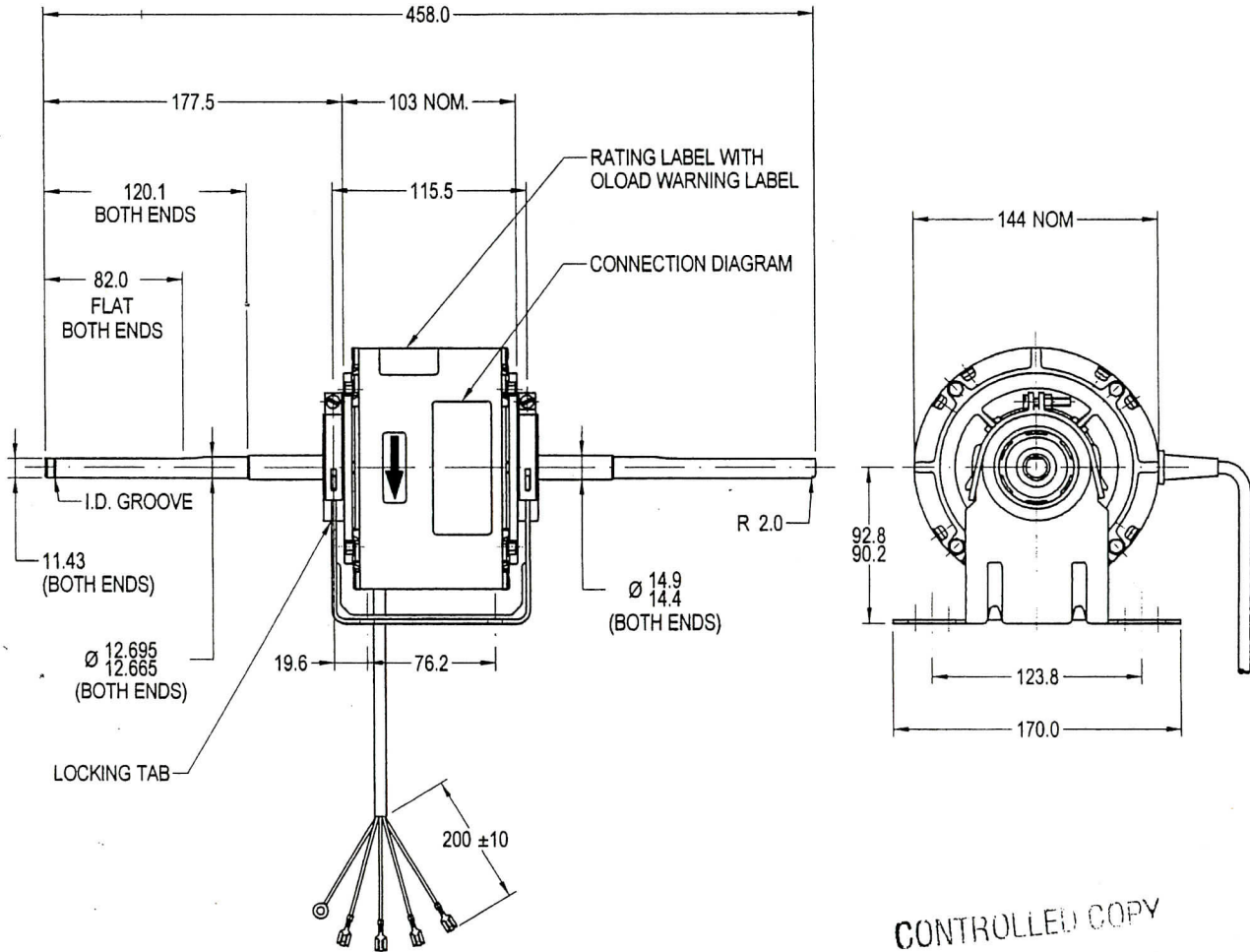


THIRD ANGLE PROJECTION

MOTOR SPECIFICATION

8061S111-80

Q.R. No.	6734	CUSTOMER NO.	-					
CUSTOMER	VARIOUS							
MOTOR RATING	VOLTS	240	Hz	50	Ph	1	Duty	AOM
	RPM.	1350		0.8		AMPS		
	NOM. OUTPUT	80 WATTS						
ROTATION	CLOCKWISE AT LEAD END							
CAPACITOR	START	-----	μF/V	RUN	4/440		μF/V	
ENCLOSURE	TOTALLY ENCLOSED							
MOTOR TYPE	CSR	INSULATION CLASS	B130					
THERMAL PROTECTION	AUTO RESET OVERLOAD							
APPLICATION	BLOWER							
BEARING D.E.	6202ZZ		LUBRICATION	LONG LIFE, WIDE RANGE				
BEARING N.D.E.	6202ZZ							
SUPPLY LEAD	FLEX 1200 ± 30 GREY							
EARTH PROVISION	VIA SUPPLIED LEAD							
BASIC BUILD SPECIFICATION	305-570-02		PAIN/ COLOUR	NIL (PRIMER)				
PERFORMANCE SPECIFICATION	SP85092-02							
CONNECTION DIAGRAM	393-402-01		RATING LABEL	SSTDAUTO.FMT				



FASCO DESIGNED AND MANUFACTURED TO AUSTRALIAN STANDARDS & SPECIFICATIONS

N693

MODEL	8061S111-80		
VOLTS	240	R.P.M.	1350
WATTS	80	TYPE	CSR
AMPS	0.8	DUTY	AOM
		CLASS	B130
		μF/V S	NIL
		μF/V R	4/440
		Ph	1
		PROT. AUTO	

MOTOR FITTED WITH INTERNAL AUTO RESET OVERLOAD AND MAY RESTART WITHOUT WARNING

WARNING

SPECIAL REQUIREMENTS:

- 1) CAPACITOR SUPPLIED LOOSE

UNLESS OTHERWISE SPECIFIED : DIMENSIONS ARE IN MM. TOLERANCES

DECIMALS	ANGULAR
.X ± 1.0	± 30'
.XX ± 0.5	

THIS DRAWING REMAINS THE PROPERTY OF FASCO MOTORS AND MAY NOT BE USED, COPIED OR ISSUED WITHOUT WRITTEN PERMISSION FROM FASCO MOTORS

MATL & FINISH

DRAWN	SYDNEY	1
CHECKED	PIPAT	07/...
RELEASED	KITTI	07/03/01
SCALE		

BCB SALES & SERVICE

PH: 03 9546 3833

FAX: 03 9546 3356

237-B MUU 3, BANHARUAI - SATHA RD., BANGKRANG, MIANG NONTABURI DISTRICT, NONTABURI 11000 THAILAND

SHEET A3

DWG. NO.

8061S111-80

MOTOR

092:8555T-80-KED

MIC No. 003/86
By: NUTAPONG
Date: 07/03/01
MIC ADD NAME PLATE

CONTROLLED COPY
16 AUG 2001

REVISION 1