

FASCO MOTORS MAY PROVIDE TECHNICAL ASSISTANCE TO OUR CUSTOMERS IN MANY AREAS. HOWEVER, SINCE FASCO MOTOR IS NOT AWARE OF ALL DATA CONCERNING THE USE AND APPLICATION OF THIS MOTOR, THE FITNESS OF THE MOTOR FOR THE APPLICATION MUST BE DETERMINED BY AND IS THE RESPONSIBILITY OF THE CUSTOMER.



V.18

MOTOR SPECIFICATION

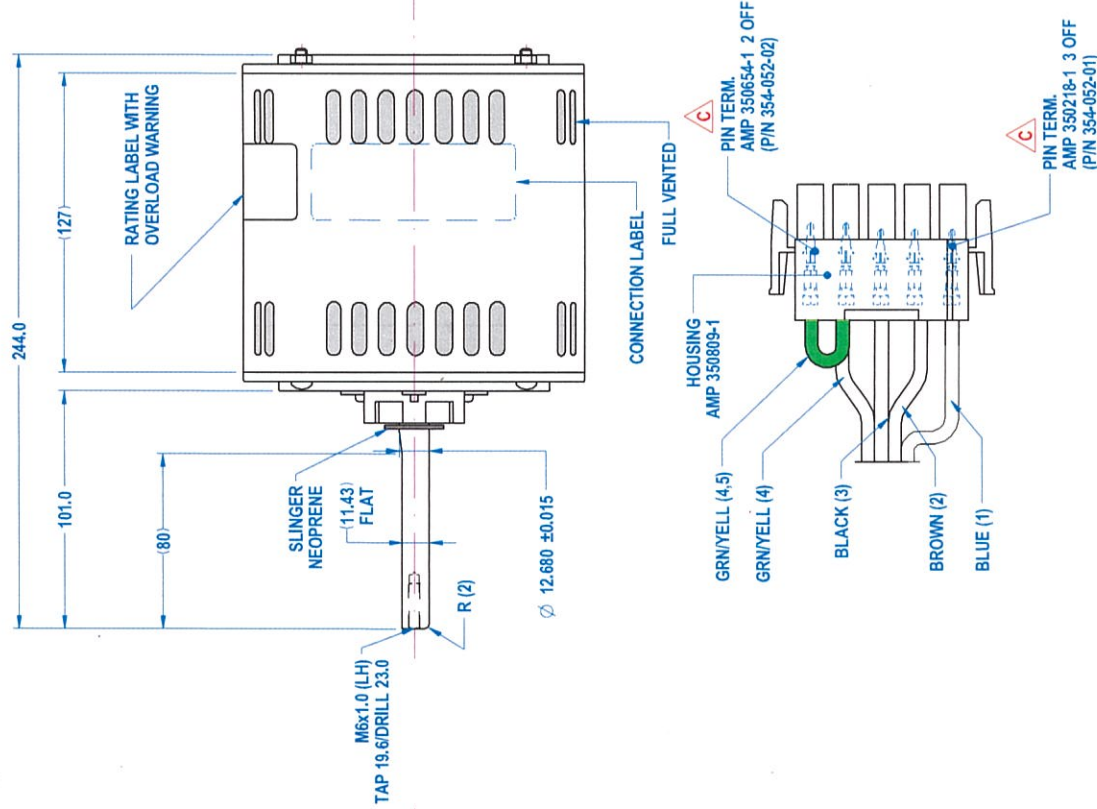
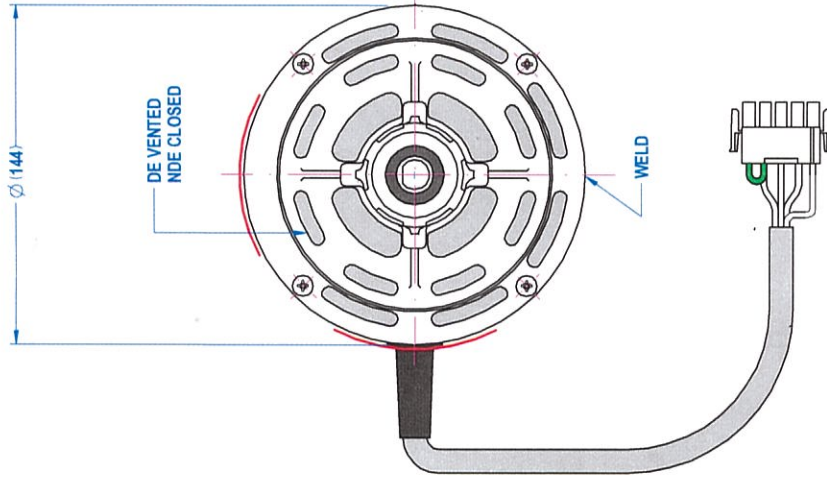
80855BPVA-A19

Q.R. No.	Y004422	CUSTOMER NO.	6061620
CUSTOMER	CLIMATE TECHNOLOGIES		
VOLTS	240	Hz	50
Ph	1	Duty	S1 AOM
RPM.	1270	AMPS	4.2
NOM. OUTPUT	600 WATTS		
ROTATION	CLOCKWISE AT DRIVE END		
CAPACITOR	START	µF/V	RUN
ENCLOSURE	VENTED		
MOTOR TYPE	CSR	INSULATION CLASS	B 130
THERMAL PROTECTION	AUTO RESET OVERLOAD		
APPLICATION	FAN - SHAFT HORIZONTAL		
BEARING D.E.	6202 DDU C3	LUBRICATION	LONG LIFE, WIDE RANGE
BEARING N.D.E.	6202 DDU C3		
SUPPLY LEAD	FLEX 1300 ± 30 GREY		
EARTH PROVISION	VIA SUPPLIED LEAD		
BASIC BUILD SPECIFICATION	305-570-21	PAINT/ COLOUR	PC GREY CASE PLAIN E/SHIELDS
PERFORMANCE SPECIFICATION	SP85376-02	RATING LABEL	SSTD AUTO.FMT

FASCO
N693
 DESIGNED AND MANUFACTURED TO AUSTRALIAN STANDARDS & SPECIFICATIONS
 6061620
 MODEL 80855BPVA-A19
 R.P.M. 1270 CLASS B130 Hz 50
 TYPE CSR µF/V S NIL Ph 1
 AMPS 4.2 DUTY S1 AOM µF/V R 15/450 PROT.AUTO
WARNING
 MOTOR FITTED WITH INTERNAL AUTO RESET OVERLOAD AND MAY RESTART WITHOUT WARNING

SPECIAL REQUIREMENTS:
 1)_CAPACITOR SUPPLIED BY CUSTOMER.
 2)_MOTOR MUST BE LOAD TESTED.
 3)_STAMP CUSTOMER NO.6061620 ON THE BULK PACK ALL SIDE.

FINAL INSPECTED MOTORS MUST COMPLY WITH ELECTRIC MOTOR VIBRATION SPECIFICATION (ES049)



MIC No. MIC1406319 By: NISA Date:21/06/2014 MIC C: UPDATE DRAWING Note:

UNLESS OTHERWISE SPECIFIED : DIMENSIONS ARE IN MM. TOLERANCES	MOTOR WEIGHT	8.3 kg.
DECIMALS .X ± 1.0	DRAWN	PONGPUN
.XX ± 0.1	CHECKED	PIPAT
	RELEASED	SUTTHIPANT
	SCALE	N.T.S.
THIS DRAWING REMAINS THE PROPERTY OF FASCO MOTORS AND MAY NOT BE USED, COPIED OR ISSUED WITHOUT WRITTEN PERMISSION FROM FASCO MOTORS		
297-8 MOO 3, BANGKRUAY - SAI NOI RD., NONGTHABURI 11000 THAILAND		
FRAME STATUS	MOTOR	B376:855BV-600-XAD:CLIMA
SHEET A3	DWG. NO.	80855BPVA-A19
	REVISION	C