

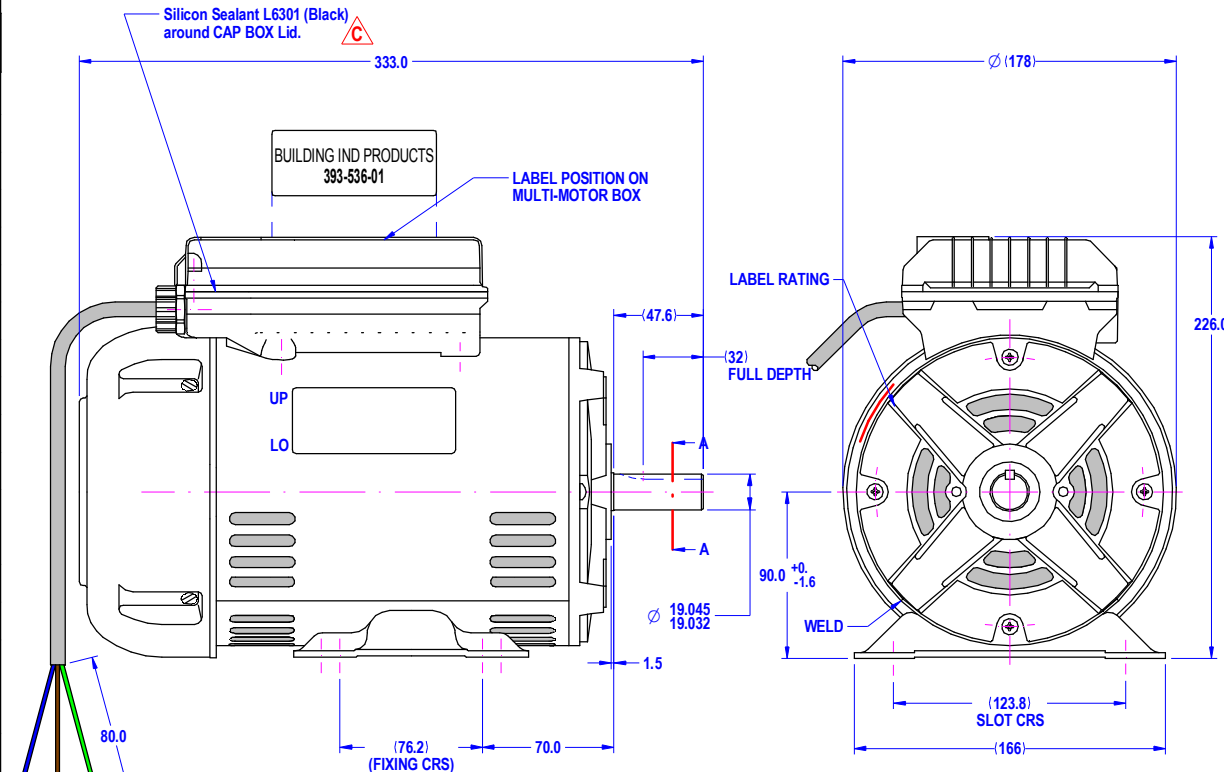
MOTOR SPECIFICATION

FINAL INSPECTED MOTORS MUST COMPLY WITH ELECTRIC MOTOR VIBRATION SPECIFICATION (ES049)

THIRD ANGLE PROJECTION

809222VVB-D01

Q.R. No.	1407062	CUSTOMER NO.	-
CUSTOMER	VARIOUS		
MOTOR RATING	VOLTS	240	Hz 50 Ph 1 Duty S1/COMP
	RPM.	2877	11.3 AMPS
NOM. OUTPUT	2200 WATTS		
ROTATION	ANTI CLOCKWISE AT DRIVE END		
CAPACITOR	START	200-250/275 μ F/V	RUN 35/450 μ F/V
ENCLOSURE	D.P.F.C.		
MOTOR TYPE	CSCR	INSULATION CLASS	B
THERMAL PROTECTION	MANUAL OVERLOAD		
APPLICATION	COMPRESSOR		
BEARING D.E.	6204 ZZ	LUBRICATION	LONG LIFE, WIDE RANGE
BEARING N.D.E.	6203 ZZ		
SUPPLY LEAD	FLEX 10A FLEX 750 \pm 30 GREY W/GLAND NUT		
EARTH PROVISION	VIA SUPPLY LEAD		
BASIC BUILD SPECIFICATION	470-073-03	PAINT/ COLOUR	JET BLACK (RAL-9005)
PERFORMANCE SPECIFICATION	SP92074-01		
CONNECTION DIAGRAM	305-656-10	RATING LABEL	LABELSTD.FMT



DESIGNED AND MANUFACTURED TO AUSTRALIAN STANDARDS & SPECIFICATIONS

FASCO ddmmyyxxxx

N693 MODEL **809222VVB-D01**

VOLTS	240	TYPE	CSCR	Hz	50
WATTS	2200	DUTY	S1/COMP	PH	1
AMPS	11.3	CLASS	B130	PROT.	MANUAL
R.P.M.	2877	μ F/V	S 200-250/275	R	35/450
WATTS IN MAX		MAX kPa			

87.0

SPECIAL REQUIREMENTS:

- LEAD 381-853-03 TO BE SUPPLIED AND PACKED LOOSE
- REVERSING LABEL 393-468-02 TO BE FITTED UNDER CAPACITOR BOX LID

UNLESS OTHERWISE SPECIFIED : DIMENSIONS ARE IN MM. TOLERANCES	MOTOR WEIGHT		X.X kg.
	DECIMALS	ANGULAR	
.X \pm 1.0	\pm 30'	DRAWN	Pongpun 21/08/2014
.XX \pm 0.1		CHECKED	Pipat 23/02/2015
		RELEASED	Sutthipant 23/02/2015
		SCALE	N.T.S.

FASCO THAILAND

29/7-8 MOO 3, BANGKRUAJAY - SAINOI Rd., BANGKRANG, MUANG NONTHABURI DISTRICT, NONTHABURI 11000 THAILAND

FRAME	MOTOR	B074:9222V2200-ABD	REVISION
STATUS	R		
SHEET	DWG. NO.	809222VVB-D01	C
A3			

M/C:1412700
 By: Mutirana
 Date: 16/02/2015
 M/C: C-Add process with Silicone Sealant L6301 (Black)
 Note: around CAP BOX Lid