

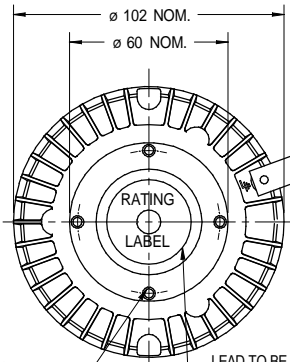
**NOTE:** FASCO AUSTRALIA IS HAPPY TO PROVIDE TECHNICAL ASSISTANCE TO OUR CUSTOMERS IN MANY AREAS. HOWEVER, SINCE FASCO AUSTRALIA IS NOT AWARE OF ALL DATA CONCERNING THE USE AND APPLICATION OF THIS MOTOR, THE SUITABILITY OF THE MOTOR FOR THE APPLICATION MUST BE DETERMINED BY AND IS THE RESPONSIBILITY OF THE CUSTOMER.

**MOTOR SPECIFICATION**

CUSTOMER	PLEASES EQUIP.			
CUSTOMER P/N				
QR No.	6488	CAPACITOR	uf / V	
POWER OUTPUT	15W	START	NIL	
MOTOR TYPE	SH/POLE	RUN	NIL	
SUPPLY	VOLTS	HERTZ	PHASE	POLES
	240	50	SINGLE	4
ENCLOSURE	TOTALLY ENCLOSED			
SPEED (RPM)	1300	WINDING TYPE		
ROTATION	ANTICLOCKWISE (DRIVE END)			
INSULATION CLASS	E 120	DUTY	AOM.	
THERMAL PROTECTION	AUTO RESET			
RATED CURRENT	0.3	AMPS AT RATED OUTPUT		
APPLICATION	FAN DRIVE			
MOUNTING	TAPPED HOLES IN ENDSHIELD			
BEARING & LUBRICATION	608ZZ WIDE RANGE, LONG LIFE			
SUPPLY LEAD	COLOUR	WHITE - PVC		
<input checked="" type="checkbox"/> MULTI STRAND	LENGTH	700 +50 -0		
<input type="checkbox"/> SINGLE CORE	TERMINALS	PLUG - 3 PIN		
	Q.C. HOUSING	NIL		
EARTH PROVISION	VIA SUPPLY LEAD			
BASIC BUILD SPECIFICATION				
PERFORMANCE SPECIFICATION				
SHAFT MATERIAL	303SS			
CONNECTION DIAGRAM	NIL	PAINT SPEC	BLACK	

**SPECIAL REQUIREMENTS**  
6-MOTORS IN PLAIN BOX.

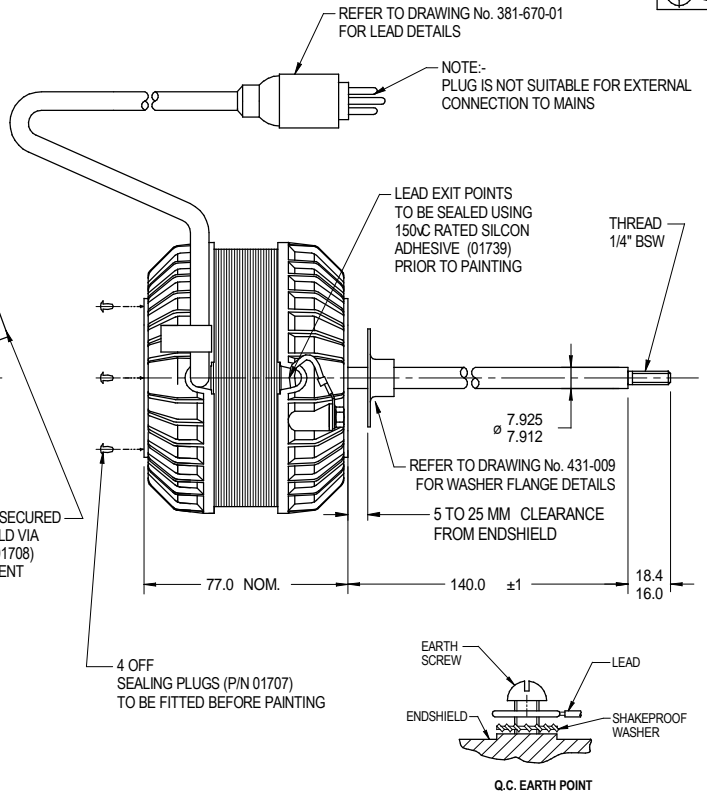
DO NOT SCALE PRINT



4 HOLES 3/16 BSW  
EQUISPACED ON 54.00 PCD.  
(BOTH ENDS)

SURFACES MUST BE  
THOROUGHLY CLEANED  
PRIOR TO AFFIXING LABELS  
AT BOTH ENDS

LEAD TO BE SECURED  
TO ENDSHIELD VIA  
P-CLIP (P/N 01708)  
OR EQUIVALENT



DIMENSIONS IN mm UNLESS OTHERWISE SPECIFIED  
GENERAL TOLERANCES  
LINEAR: X = ±1.0  
          XX = ±0.25  
          XXX = ±0.1  
ANGULAR: X = 2°  
          XX = ±0.5°  
SURFACE FINISHES IN MICRO METRES. MAX 3.0  
SYMBOLS - A.S. 1100  
This drawing remains the property of Fasco Australia Pty. Ltd. No part or parts of this drawing may be reproduced without written permission.

MATL			
FINISH			
DRAWN	MURFETTR	05/12/06	
CHECKED	BALCHANT	31/10/07	
RELEASED	BALCHANT	31/10/07	
SCALE			

**FASCO AUSTRALIA**  
ABN 76 000 010 944  
1/14 Monterey Road, Dandenong, Victoria

FRAME	MOTOR -		
STATUS	4P 15W		
SHEET	DWG. NO.	50D521-76AT	REVISION
A3			C

No. 020306  
 Date: 18/10/07  
 By: MURFETTR  
 Title: POSITION OF SHAFT  
 Note: REMOVED MOTOR AND WINDING DETAILS ±1 TOLERANCE FOR