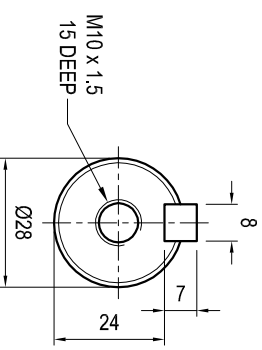
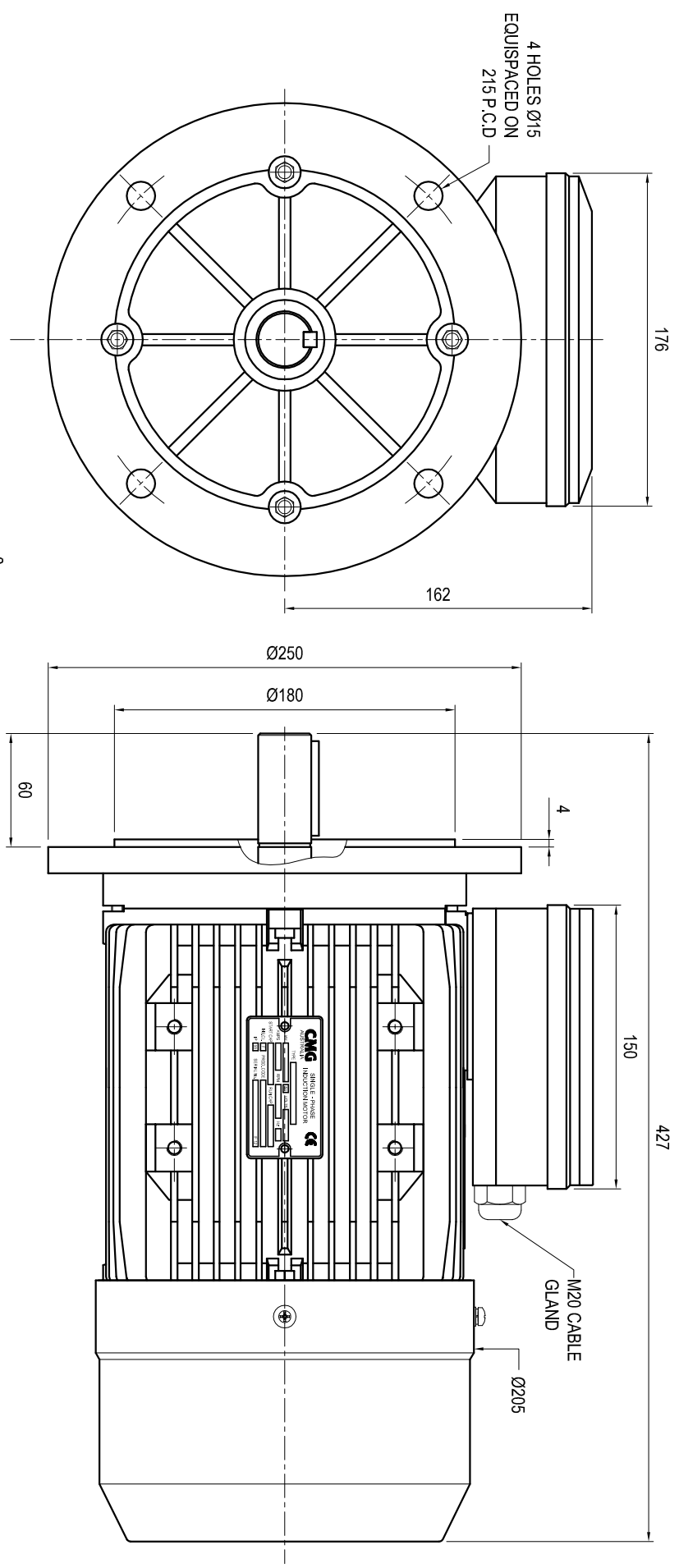


DRG. No.  
**T210L50C**

FRAME  
**MTC-100L**



SHAFT DETAIL

POLES	KW	TYPE
2	3.0	MTC100L-2
4	2.2	MTC100L-4
4	3.0	MTC100L-4

ISS.		DATE		DRN. APP.		NP/CR				19 CORPORATE AVE ROWVILLE VIC 3178 Ph: (03) 9237 4000 Fax: (03) 9237 4029 www.cmggroup.com.au		DRAFTING: STANDARD AS 1100 SIZE A3 UNLESS OTHERWISE STATED ALL DIMENSIONS IN MILLIMETRES. TOL. - LINEAR: ±. - ANGULAR: °		CUST. CMG SCALE N.T.S.		DATE: 18/12/07		DRN. L. BUTLER CKD. JESSIE BRUGGE CKD. DATE: 19/11/09		DRG. No. <b>T210L50C</b>	
A		18/12/07		LB		JE		CR2600		MTC-100L 2 & 4 POLE B5 MOTOR - Ø28 SHAFT		PART No.									
ORIGINAL ISSUE																					
ALTERATION																					