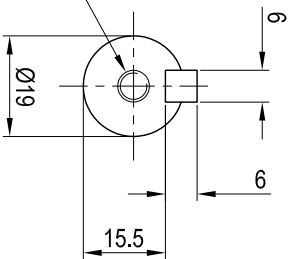
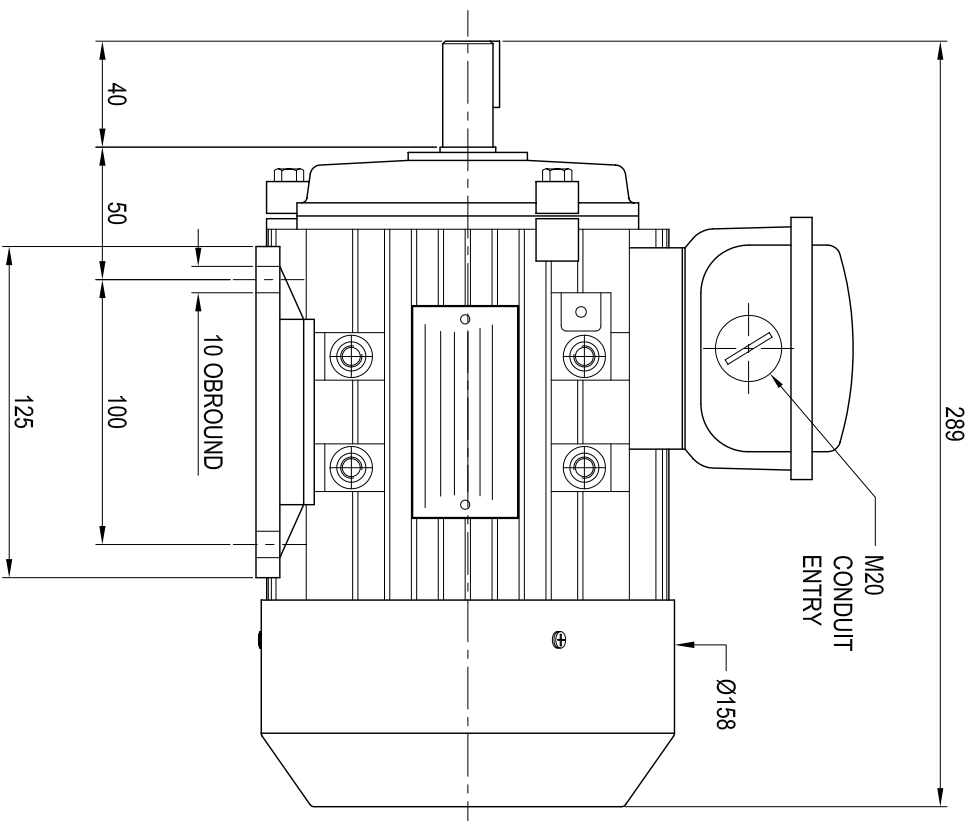


M6 x 1.0
9 DEEP



SHAFT DETAIL



NOTE:
TERMINAL BOX CAN BE ROTATED 90° INTERVALS

All CMG products are regularly redesigned and improved and CMG reserves the right to change the design, technical specification and dimensions without prior notice.

ISS.	A	ORIGINAL ISSUE	24/9/03	GW	CMG
		ALTERATION		DRN.	APP. NP/CR

CMG
TECHNOLOGY P/L

19 CORPORATE AVE
ROSWILLE VIC 3178
Ph: (03) 9237 4000
Fax: (03) 9237 4029
www.cmggroup.com.au

UNLESS OTHERWISE STATED ALL DIMENSIONS IN MILLIMETRES. TOL. - LINEAR: ± 0.3 ° - ANGULAR: ± 1	DRAFTING STANDARD AS 1100	SIZE A3
---	---------------------------------	------------

TITLE MOTOR OUTLINE 80 SLA B3		
CUST. CMG	DATE 24/9/03	DRN. G. WEILIN
SCALE 1:2	DATE 24/9/03	CHKD. DATE 4/2/04

DRG. No.	L308030A
----------	----------