

FASCO MOTORS MAY PROVIDE TECHNICAL ASSISTANCE TO OUR CUSTOMERS IN MANY AREAS. HOWEVER, SINCE FASCO MOTOR IS NOT A UNIVERSAL MOTOR, BE AWARE OF ALL DATA CONCERNING THE USE AND APPLICATION OF THIS MOTOR, THE FITNESS OF THE MOTOR FOR THE APPLICATION MUST BE DETERMINED BY AND IS THE RESPONSIBILITY OF THE CUSTOMER.

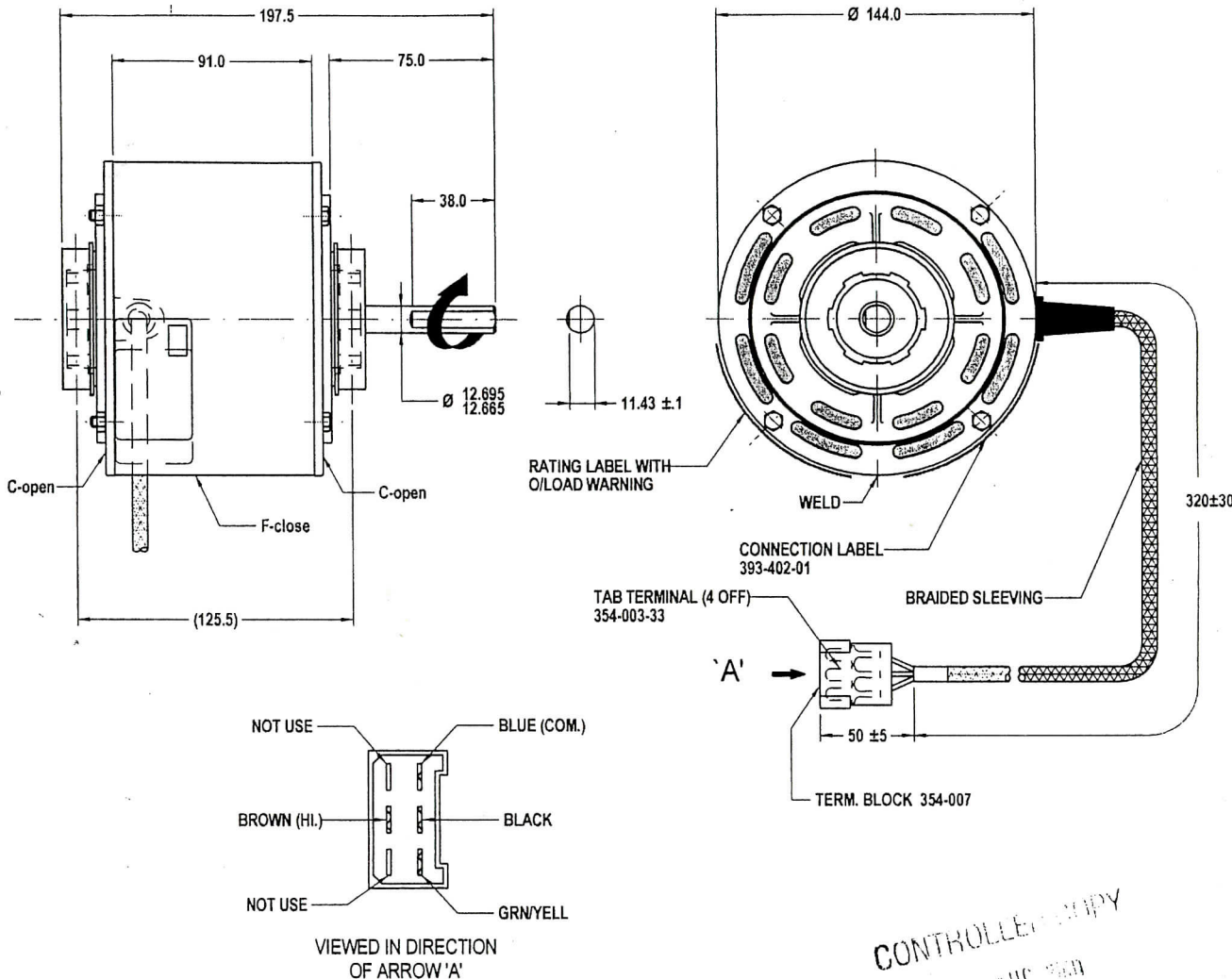


THIRD ANGLE PROJECTION

MOTOR SPECIFICATION

808554MVA-A15

Q.R. No.	Y000617	CUSTOMER NO.	40P5114-250SA-1		
CUSTOMER	TORIN				
MOTOR RATING	VOLTS	240	Hz	50	Ph 1
	RPM.	1340		2.0 AMPS	
	NOM. OUTPUT	250 WATT			
ROTATION	CLOCK WISE AT SHAFT END				
CAPACITOR	START	-----	µF/V	RUN	4/440 µF/V
ENCLOSURE	VENTED				
MOTOR TYPE	PSC	INSULATION CLASS	B		
THERMAL PROTECTION	AUTO RESET OVERLOAD				
APPLICATION	BLADE				
BEARING D.E.	6202 ZZ	LUBRICATION	LONG LIFE, WIDE RANGE		
BEARING N.D.E.	6202 ZZ				
SUPPLY LEAD	AS SHOWN				
EARTH PROVISION	VIA TERMINAL BLOCK				
BASIC BUILD SPECIFICATION	305-570-03	PAINT/ COLOUR	DARK GREY		
PERFORMANCE SPECIFICATION	SP85069-01				
CONNECTION DIAGRAM	393-402-01	RATING LABEL	SSTDAUTO.FMT		



DESIGNED AND MANUFACTURED TO AUSTRALIAN STANDARDS & SPECIFICATIONS

40P5114 - 250SA - 1 [ddmmyyxxxx]
MODEL 808554MVA-A15

VOLTS 240 R.P.M. 1340 CLASS B130 Hz 50
WATTS 250 TYPE CSR µF/V S NIL Ph 1
AMPS 2.0 DUTY AOM µF/V R 4/440 PROT. AUTO

WARNING MOTOR FITTED WITH INTERNAL AUTO RESET OVERLOAD AND MAY RESTART WITHOUT WARNING

SPECIAL REQUIREMENTS:

UNLESS OTHERWISE SPECIFIED: DIMENSIONS ARE IN MM. TOLERANCES

DECIMALS ANGULAR
.X ± 1.0 ± 30'
.XX ± 0.5

THIS DRAWING REMAINS THE PROPERTY OF FASCO MOTORS AND MAY NOT BE USED, COPIED OR ISSUED WITHOUT WRITTEN PERMISSION FROM FASCO MOTORS

MATL & FINISH		
DRAWN	NITHAD	10/05/
CHECKED	KITTI	20/03/
RELEASED	KITTI	20/03/01
SCALE		

BCB SALES & SERVICE
PH : 03 9546 3833
FAX : 03 9546 3356

MOTOR

069:8554V-250-XAD:TORIN

BANGKRANG, MUANG NONHABURI DISTRICT, NONHABURI 11000 THAILAND

NO. 808554MVA-A15

REVISION D

MIC No. 003766

BY: NITHAD
Date: 20/03/01

Note:

CHANGE CUSTOMER NAME AND ETC

CONTROLLED COPY
30 AUG 2001