

FASCO MOTORS MAY PROVIDE TECHNICAL ASSISTANCE TO OUR CUSTOMERS IN MANY AREAS, HOWEVER, SINCE FASCO MOTOR IS NOT AWARE OF ALL DATA CONCERNING THE USE AND APPLICATION OF THIS MOTOR, THE FITNESS OF THE MOTOR FOR THE APPLICATION MUST BE DETERMINED BY AND IS THE RESPONSIBILITY OF THE CUSTOMER.

MOTOR SPECIFICATION

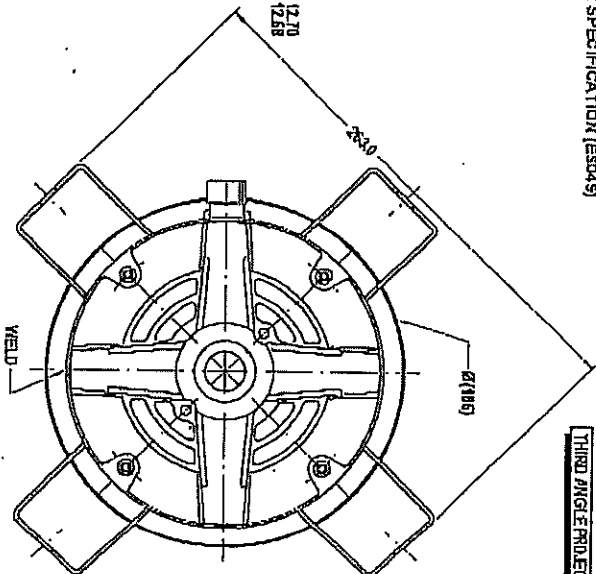
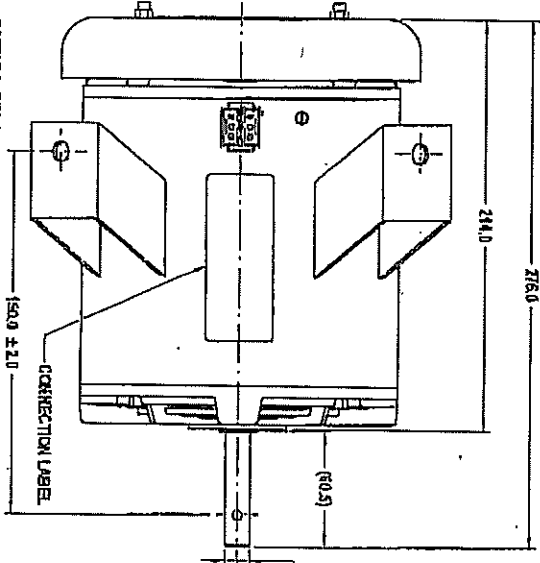
809454PVB-A16

Q.R. No.	7024	CUSTOMER NO.	8011603SP
OUTCOMER	SOUTHCORP		
VOLTS	240	Hz	50
PHASE	3	Ph	1
MOTOR RATING	1400	rpm	3.9
WINDING	600 WATTS		
ROTATION	CLOCKWISE AT SHAFT END		
CAPACITOR START	—	µF/V	RUN
ENCLOSURE	DRIPROOF		
MOTOR TYPE	CSR	INSULATION CLASS	B
THERMAL PROTECTION	AUTO RESET OVERLOAD		
APPLICATION	EVAP. COOLER		
BEARING D.E.	6204 ZZ	LUBRICATION	LONG LIFE, WIDE RANGE
BEARING D.E.	6203 ZZ		
SUPPLY LEAD	—		
EXHAUST PROVISION	VIA TERMINAL BOX		
BASIC BUILD SPECIFICATION	470-007-01	PAINT	FLAME-RED
PERFORMANCE SPECIFICATION	SP940SS-01	COLOR	PAL-3000
CONNECTION DIAGRAM	393-402-11	RATING LABEL	SEE 391-158-01

SPECIAL REQUIREMENTS: PPO

- 1) LEADS TO BE TIED DOWN ON STATOR'S WINDING (AWAY FROM THERCOS) USING PLASTIC CABLE TIE
- 2) CUSTOMER'S PART No. 6011603SP TO BE PRINTED ON RATING LABEL AND ON PACKING CARTON
- 3) SERVICE PACK 391-158-01 TO BE PACKED WITH EACH MOTOR IN CARTON
- 4) PACKAGING IN SINGLE CARTON BUT DO NOT SEAL WITH TAPE
- 5) RATING LABEL DATA AS PER CUSTOMER REQUIREMENTS (REFER 305-731-49)
- 6) CUSTOMER SUPPLIED LEAD 361-164-01 TO FA

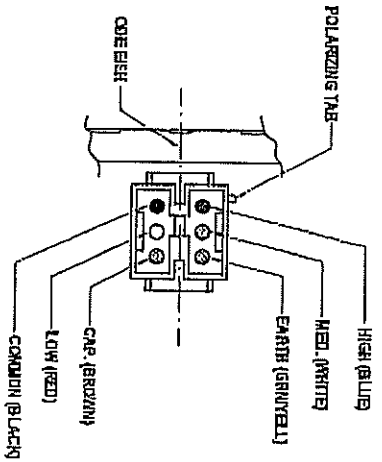
FINAL INSPECTED MOTORS MUST COMPLY WITH ELECTRIC MOTOR VIBRATION SPECIFICATION (ES045)



FASCO
 DESIGNED AND MANUFACTURED TO AUSTRALIAN STANDARDS & SPECIFICATIONS
 C N693
 MODEL: 809454PVB-A16
 RATED CLASS B30
 TYPE CSR
 DUTY A04
 WATTS 240
 VOLTS 240
 AMP 2.40
WARNING
 MOTOR FITTED WITH INTERNAL AUTO RESET OVERLOAD AND MAY START WITHOUT WARNING

FASCO
 DESIGNED AND MANUFACTURED TO AUSTRALIAN STANDARDS & SPECIFICATIONS
 C N693
 MODEL: 809454PVB-A16
 RATED CLASS B30
 TYPE CSR
 DUTY A04
 WATTS 240
 VOLTS 240
 AMP 2.40
WARNING
 MOTOR FITTED WITH INTERNAL AUTO RESET OVERLOAD AND MAY START WITHOUT WARNING

TYPE WARNING LABEL MUST BE PRINTED ON MOTOR AND PACKING CARTON. NOTIFY PRODUCT DEVELOPMENT WHEN BUILDING



NOTE: RELATIVE POSITION OF POLARIZING TAB & CODE ESH MUST BE MAINTAINED

UNLESS OTHERWISE SPECIFIED: MOTOR WEIGHT DIMENSIONS ARE IN MM. TOLERANCES: DECIMALS ± 0.10 ANGULAR ± 30' XX ± 0.5

BCB SALES & SERVICE
 PH: 03 9546 3833
 FAX: 03 9546 3356

MOTOR
 STATUS: R
 DWG. NO.: 809454PVB-A16
 SHEET: A3

11/1/08