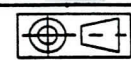


FASCO MOTORS MAY PROVIDE TECHNICAL ASSISTANCE TO OUR CUSTOMERS IN MANY AREAS. HOWEVER, SINCE FASCO MOTOR IS USED IN A VARIETY OF APPLICATIONS, THE FITNESS OF THE MOTOR FOR THE APPLICATION MUST BE DETERMINED BY AND IS THE RESPONSIBILITY OF THE CUSTOMER.

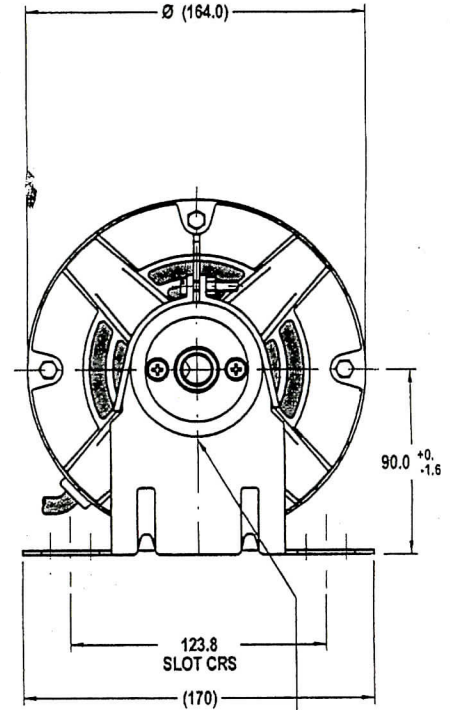
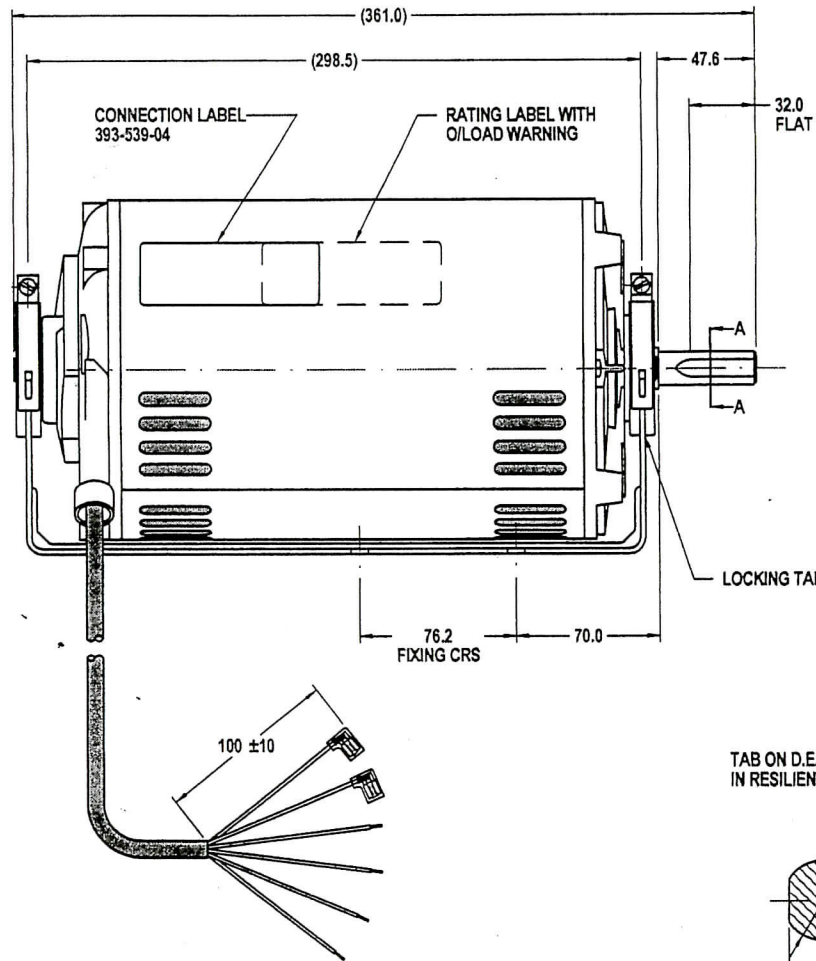


THIRD ANGLE PROJECTION

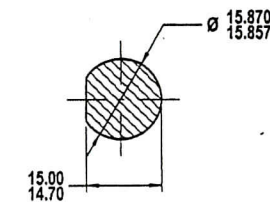
MOTOR SPECIFICATION

809455SVB-B14

Q.R. No.	-	CUSTOMER NO.	-
CUSTOMER			
MOTOR RATING	VOLTS	240	Hz 50 Ph 1 Duty S1 AOM
	RPM.	1400	6.0 AMPS
	NOM. OUTPUT	1100 WATTS	
ROTATION ANTI CLOCK WISE AT SHAFT END			
CAPACITOR	START	-----	μF/V RUN 30/400 μF/V
ENCLOSURE DRIP PROOF			
MOTOR TYPE	CSR	INSULATION CLASS	B
THERMAL PROTECTION AUTO RESET OVERLOAD			
APPLICATION EVAP.COOLER			
BEARING D.E.	6204 ZZ	LUBRICATION	LONG LIFE, WIDE RANGE
BEARING N.D.E.	6203 ZZ		
SUPPLY LEAD FLEX.@650±30 GREY			
EARTH PROVISION VIA SUPPLY LEAD			
BASIC BUILD SPECIFICATION	470-063-01	PAINT/ COLOUR	GREY CASE PLAIN E/SHIELDS
PERFORMANCE SPECIFICATION	SP94004-01		
CONNECTION DIAGRAM	305-682-01	RATING LABEL	SSTD AUTO.FMT



TAB ON D.E. OF CRADLE TO ENGAUGE WITH SLOT IN RESILIENT MOUNTING RING



SECTION A-A enlarged view

CONTROLLED COPY

18 AUG 2001

FASCO DESIGNED AND MANUFACTURED TO AUSTRALIAN STANDARDS & SPECIFICATIONS

N693 MODEL 809455SVB-B14

VOLTS 240	R.P.M. 1400	CLASS B130	Hz 50
WATTS 1120	TYPE CSR	μFV S NIL	Ph 1
AMPS 6.0	DUTY S1 AOM	μFV R 30/440	PROT. AUTO

WARNING MOTOR FITTED WITH INTERNAL AUTO RESET OVERLOAD AND MAY RESTART WITHOUT WARNING

- SPECIAL REQUIREMENTS:
- 1) CAPACITOR SUPPLIED LOOSE
 - 2) TIERODS TO BE STAINLESS STEEL
 - 3) MOTORS PACKED IN INDIVIDUAL CARTONS
 - 4) RATING LABEL DATA AS PER CUSTOMER REQUIREMENTS (REFER 305-731-00)

UNLESS OTHERWISE SPECIFIED : DIMENSIONS ARE IN MM. TOLERANCES		
DECIMALS	ANGULAR	
.X ± 1.0	± 30'	
.XX ± 0.5		
THIS DRAWING REMAINS THE PROPERTY OF FASCO MOTORS AND MAY NOT BE USED, COPIED OR ISSUED WITHOUT WRITTEN PERMISSION FROM FASCO MOTORS		
MATL & FINISH		
DRAWN	SYDNEY	26/02/97
CHECKED	KITTI	27/03/01
RELEASED	KITTI	27/03/01
SCALE		

FASCO THAILAND

297-8 MOO 3, BANGKRUAY - SAI NOI Rd., BANGKRUANG, MUJANG NONTHABURI DISTRICT, NONTHABURI 11000 THAILAND

FRAME	MOTOR	
STATUS	R	
SHEET	DWG. NO.	REVISION
A3	809455SVB-B14	F

MIC No. 003766
 By: NITHAD
 Date: 26/03/01
 MIC: ADD RATING LABEL ON DRAWING
 Note: